

DRY COOLERS

New

New

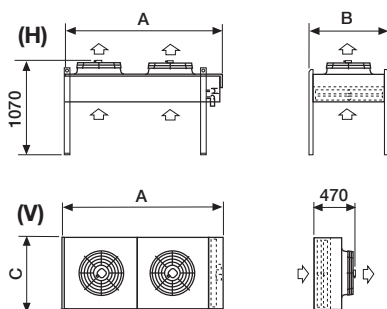
| | |
|--|----------|
| SAL Ø 500 | Pag. 80 |
| SAL Ø 630 | Pag. 80 |
| SAL Ø 800 <i>(Flat Giants)</i> | Pag. 82 |
| ▶ XHL Ø 950 <i>(Flat Giants)</i> | Pag. 84 |
| XAL Ø 900-1000 <i>(Flat Giants)</i> | Pag. 88 |
| ▶ EHL Ø 950 <i>(Flat Giants)</i> | Pag. 92 |
| EHL Ø 900 · EAL Ø 800-900 <i>(Flat Giants)</i> | Pag. 96 |
| XDHL <i>(Small Giants)</i> | Pag. 100 |
| EHL D <i>(Giants)</i> | Pag. 102 |
| XXLD <i>(Mega Giants)</i> | Pag. 104 |

SAL Ø 500

Raffreddatori di liquido
Dry coolers



11.0 - 130 kW



| Modello | Model | SAL5N (2.1 mm) | 4311L | 4312L | 4321C | | | |
|--------------------------|-------------------------|---|-------|-------|-------|------|-------|-------|
| Potenza | Capacity | <input type="checkbox"/> kW (ΔT 15K) Glycol 34% | 19,0 | 17,0 | 21,0 | 18,5 | 38,5 | 34,0 |
| Fluido refrigerante | Refrigerant fluid | m ³ /h Portata Flowrate | 3,6 | 3,2 | 3,9 | 3,5 | 7,2 | 6,4 |
| | | kPa Perdita di carico Pressure drop | 35 | 28 | 23 | 17 | 28 | 22 |
| Portata d'aria | Air quantity | m ³ /h | 6800 | 5700 | 6400 | 5200 | 13600 | 11400 |
| Assorbimento motori | Motor power consumption | W | 690 | 540 | 690 | 540 | 1380 | 1080 |
| | | A | 1,4 | 0,9 | 1,4 | 0,9 | 2,8 | 1,8 |
| Livello pressione sonora | Sound pressure level | dB (A) (total) | 48 | 44 | 48 | 44 | 51 | 47 |
| Modello | Model | SAL5S (2.1 mm) | 4411M | | 4421D | | | |
| Potenza | Capacity | <input type="checkbox"/> kW (ΔT 15K) Glycol 34% | 15,0 | 13,3 | | 30,5 | 26,5 | |
| Fluido refrigerante | Refrigerant fluid | m ³ /h Portata Flowrate | 2,8 | 2,5 | | 5,7 | 4,9 | |
| | | kPa Perdita di carico Pressure drop | 57 | 40 | | 51 | 35 | |
| Portata d'aria | Air quantity | m ³ /h | 4400 | 3700 | | 8800 | 7400 | |
| Assorbimento motori | Motor power consumption | W | 240 | 170 | | 480 | 340 | |
| | | A | 0,6 | 0,3 | | 1,2 | 0,6 | |
| Livello pressione sonora | Sound pressure level | dB (A) (total) | 38 | 34 | | 41 | 37 | |
| Modello | Model | SAL5R (2.1 mm) | 4511M | | 4521D | | | |
| Potenza | Capacity | <input type="checkbox"/> kW (ΔT 15K) Glycol 34% | 11,0 | 9,5 | | 22,5 | 19,0 | |
| Fluido refrigerante | Refrigerant fluid | m ³ /h Portata Flowrate | 2,1 | 1,8 | | 4,2 | 3,6 | |
| | | kPa Perdita di carico Pressure drop | 33 | 25 | | 30 | 22 | |
| Portata d'aria | Air quantity | m ³ /h | 3000 | 2400 | | 6000 | 4800 | |
| Assorbimento motori | Motor power consumption | W | 120 | 80 | | 240 | 160 | |
| | | A | 0,30 | 0,15 | | 0,6 | 0,3 | |
| Livello pressione sonora | Sound pressure level | dB (A) (total) | 30 | 25 | | 33 | 28 | |

DATI COMUNI / COMMON DATA

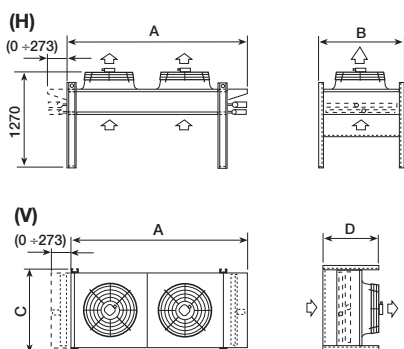
| | | Ø 500 mm x n° | | 1 o | 1 o | 2 oo |
|--------------------|----------------|-----------------|------------|------|------|------|
| | | Collegamento | Connection | △ | △ | △ |
| Elettroventilatori | Fans | | | 7 | 9 | 13 |
| Volume circuito | Circuit volume | dm ³ | | 1085 | 1085 | 1895 |
| Dimensioni | Dimensions | A mm (H - V) | | 905 | 905 | 905 |
| | | B mm (H) | | 830 | 830 | 830 |
| | | C mm (V) | | | | |

SAL Ø 630

Raffreddatori di liquido
Dry coolers



12.8 - 211 kW



| Modello | Model | SAL6N (2.1 mm) | 6410D | 6411L | 6420C | | | |
|--------------------------|-------------------------|---|-------|-------|-------|------|-------|-------|
| Potenza | Capacity | <input type="checkbox"/> kW (ΔT 15K) Glycol 34% | 21 | 18 | 25,5 | 21 | 43,5 | 38 |
| Fluido refrigerante | Refrigerant fluid | m ³ /h Portata Flowrate | 3,9 | 3,4 | 4,7 | 3,9 | 8 | 7 |
| | | kPa Perdita di carico Pressure drop | 22 | 17 | 37 | 26 | 49 | 38 |
| Portata d'aria | Air quantity | m ³ /h | 8500 | 6600 | 7800 | 5900 | 17000 | 13200 |
| Assorbimento motori | Motor power consumption | W | 550 | 380 | 550 | 380 | 1100 | 760 |
| | | A | 1,2 | 0,7 | 1,2 | 0,7 | 2,4 | 1,4 |
| Livello pressione sonora | Sound pressure level | dB (A) (total) | 43 | 37 | 43 | 37 | 46 | 40 |
| Modello | Model | SAL6S (2.1 mm) | 6510L | 6511L | 6520C | | | |
| Potenza | Capacity | <input type="checkbox"/> kW (ΔT 15K) Glycol 34% | 17 | 16 | 19 | 14,5 | 34 | 28,5 |
| Fluido refrigerante | Refrigerant fluid | m ³ /h Portata Flowrate | 3,2 | 2,6 | 3,4 | 2,7 | 6,2 | 5,3 |
| | | kPa Perdita di carico Pressure drop | 36 | 28 | 20 | 13 | 29 | 23 |
| Portata d'aria | Air quantity | m ³ /h | 5500 | 4200 | 5100 | 3800 | 11000 | 8400 |
| Assorbimento motori | Motor power consumption | W | 200 | 130 | 200 | 130 | 400 | 260 |
| | | A | 0,5 | 0,25 | 0,5 | 0,25 | 1 | 0,5 |
| Livello pressione sonora | Sound pressure level | dB (A) (total) | 35 | 28 | 35 | 28 | 38 | 31 |
| Modello | Model | SAL6R (2.1 mm) | 6610L | | 6620D | | | |
| Potenza | Capacity | <input type="checkbox"/> kW (ΔT 15K) Glycol 34% | 12,8 | 10 | | 26,1 | 20,5 | |
| Fluido refrigerante | Refrigerant fluid | m ³ /h Portata Flowrate | 2,4 | 1,9 | | 4,9 | 3,8 | |
| | | kPa Perdita di carico Pressure drop | 23 | 16 | | 49 | 32 | |
| Portata d'aria | Air quantity | m ³ /h | 3600 | 2600 | | 7200 | 5200 | |
| Assorbimento motori | Motor power consumption | W | 110 | 65 | | 220 | 130 | |
| | | A | 0,3 | 0,15 | | 0,6 | 0,3 | |
| Livello pressione sonora | Sound pressure level | dB (A) (total) | 24 | 17 | | 27 | 20 | |

DATI COMUNI / COMMON DATA

| | | Ø 630 mm x n° | | 1 o | 1 o | 2 oo |
|--------------------|----------------|-----------------|------------|------|------|------|
| | | Collegamento | Connection | △ | △ | △ |
| Elettroventilatori | Fans | | | 7 | 10 | 13 |
| Volume circuito | Circuit volume | dm ³ | | 1393 | 1393 | 2393 |
| Dimensioni | Dimensions | A mm (H) | | 1373 | 1373 | 2373 |
| | | A mm (V) | | 1110 | 1110 | 1110 |
| | | B mm (H) | | 1040 | 1040 | 1040 |
| | | C mm (V) | | 705 | 705 | 705 |
| | | D mm (V) | | | | |

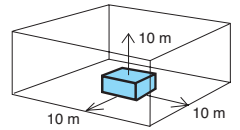
- Potenza con tubi puliti
- Rating with clean tubes



| 4322D | | 4331C | | 4332C | | 4346C | | 4347D | | 4366C | | 4367C | | | |
|--------|-------|--------------|-------|--------|-------|--------------|-------|--------|-------|--------------|-------|--------|-------|-------|--|
| 43,5 | 37,5 | 60,5 | 53,5 | 65,0 | 56,0 | 77,0 | 68,0 | 87,0 | 75,0 | 121,0 | 107,0 | 130,0 | 112,0 | | |
| 8,1 | 7,0 | 11,3 | 10,0 | 12,2 | 10,5 | 14,4 | 12,8 | 16,3 | 14,0 | 22,6 | 20,0 | 24,3 | 21,0 | | |
| 53 | 40 | 77 | 62 | 52 | 39 | 28 | 22 | 53 | 40 | 77 | 62 | 52 | 39 | | |
| 13200 | 10400 | 20400 | 17100 | 19800 | 15600 | 27200 | 22800 | 26400 | 20800 | 40800 | 34200 | 39600 | 31200 | | |
| 1380 | 1080 | 2070 | 1620 | 2070 | 1620 | 2760 | 2160 | 2760 | 2160 | 4140 | 3240 | 4140 | 3240 | | |
| 2,8 | 1,8 | 4,2 | 2,7 | 4,2 | 2,7 | 5,6 | 3,6 | 5,6 | 3,6 | 8,4 | 5,4 | 8,4 | 5,4 | | |
| 51 | 47 | 52 | 48 | 52 | 48 | 54 | 50 | 54 | 50 | 55 | 51 | 55 | 51 | | |
| | | 4431C | | | | 4446D | | | | 4466C | | | | | |
| | | 45,5 39,6 | | | | 61,0 52,8 | | | | 90,0 79,2 | | | | | |
| | | 8,5 7,4 | | | | 11,4 9,9 | | | | 17,0 14,8 | | | | | |
| | | 46 32 | | | | 51 36 | | | | 46 32 | | | | | |
| | | 13200 11100 | | | | 17600 14800 | | | | 26400 22200 | | | | | |
| | | 720 510 | | | | 960 680 | | | | 1440 1020 | | | | | |
| | | 1,8 0,9 | | | | 2,4 1,2 | | | | 3,6 1,8 | | | | | |
| | | 42 38 | | | | 44 40 | | | | 45 41 | | | | | |
| | | 4531C | | | | 4546D | | | | 4566C | | | | | |
| | | 34,0 28,5 | | | | 45,0 38,0 | | | | 68,0 57,0 | | | | | |
| | | 6,4 5,3 | | | | 8,4 7,2 | | | | 12,8 10,6 | | | | | |
| | | 27 20 | | | | 30 22 | | | | 27 20 | | | | | |
| | | 9000 7200 | | | | 12000 9600 | | | | 18000 14400 | | | | | |
| | | 360 240 | | | | 480 320 | | | | 720 480 | | | | | |
| | | 0,9 0,45 | | | | 1,2 0,6 | | | | 1,8 0,9 | | | | | |
| | | 34 29 | | | | 36 31 | | | | 37 32 | | | | | |
| | | 2 00 | | 3 000 | | 3 000 | | 4 000 | | 4 000 | | 6 000 | | 6 000 | |
| △ 17 △ | | △ 18 △ | | △ 27 △ | | △ 32 △ | | △ 34 △ | | △ 38 △ | | △ 51 △ | | | |
| 1895 | | 2705 | | 2705 | | 1895 | | 1895 | | 2705 | | 2705 | | | |
| 905 | | 905 | | 905 | | 1717 | | 1717 | | 1717 | | 1717 | | | |
| 830 | | 830 | | 830 | | 1645 | | 1645 | | 1645 | | 1645 | | | |

Livello pressione sonora sulla superficie del parallelepipedo indicato, con piano riflettente.

Correzione livello pressione sonora per distanza diversa da 10 m.



Sound pressure level on the indicated parallelepiped surface, with reflective plane.

Sound pressure correction for distance different of 10 m.

| Ø 500 - 630 | | | | | | | | | | | |
|-------------|----|-----|-----|----|----|------|------|-----|-----|-----|-----|
| m | 2 | 3 | 5 | 10 | 15 | 20 | 30 | 40 | 60 | 80 | 100 |
| dB (A) | 12 | 9,5 | 5,5 | 0 | -3 | -5,5 | -8,5 | -11 | -14 | -16 | -18 |

| Ø 800 - 900 - 1000 | | | | | | | | | | | |
|--------------------|----|---|---|----|----|------|------|-----|-----|-----|-----|
| m | 2 | 3 | 5 | 10 | 15 | 20 | 30 | 40 | 60 | 80 | 100 |
| dB (A) | 10 | 8 | 5 | 0 | -3 | -5,5 | -8,5 | -11 | -14 | -16 | -18 |

DATI COMUNI / COMMON DATA

| | | |
|--|--------------------------------------|--------------|
| TA = Temperatura ambiente | Ambient temperature | = 25°C |
| TWE = Temperatura entrata fluido refrigerante | Réfrigérant fluid inlet temperature | = 40°C |
| TWE = Temperatura uscitata fluido refrigerante | Réfrigérant fluid outlet temperature | = 35°C |
| DT = TWE-TA | | = 15 K |
| Fluido refrigerante | Refrigerant fluid | = Glycol 34% |

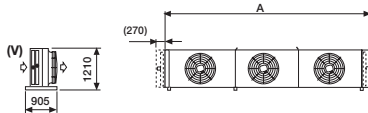
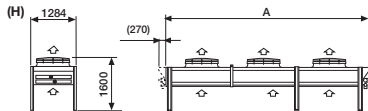
- Potenza con tubi puliti
- Rating with clean tubes

Attacchi lati opposti AF
Connections opposite sides AF



| 6421C | | 6430B | | 6431F | | 6440B | | 6441B | | 6450A | | 6451B | | 6445C | | 6446C | | 6465B | | 6466F | | 6485B | | 6486B | | | |
|--------------|-------|--------------|-------|--------------|-------|--------------|-------|--------------|-------|--------------|-------|--------------|-------|--------------|-------|--------------|-------|--------------|-------|--------------|-------|--------------|-------|--------------|-------|--------|--|
| 51 | 42 | 63,5 | 55 | 77 | 64 | 88 | 76 | 103 | 85 | 105 | 91 | 131 | 108 | 89 | 77 | 105 | 86 | 131 | 114 | 159 | 131 | 180 | 156 | 211 | 174 | | |
| 9,6 | 7,9 | 11,7 | 10,3 | 14,5 | 11,9 | 16,4 | 14,2 | 19,3 | 15,9 | 19,6 | 17 | 24,4 | 20,2 | 16,6 | 14,5 | 19,6 | 16,1 | 24,6 | 21,3 | 29,8 | 24,6 | 33,6 | 29,1 | 39,4 | 32,6 | | |
| 31 | 22 | 24 | 19 | 52 | 37 | 56 | 43 | 29 | 20 | 16 | 12 | 53 | 37 | 62 | 48 | 32 | 23 | 27 | 21 | 50 | 35 | 56 | 43 | 31 | 22 | | |
| 15600 | 11800 | 25500 | 19800 | 23400 | 17700 | 34000 | 26400 | 31200 | 23600 | 42500 | 33000 | 39000 | 29500 | 34000 | 26400 | 31200 | 23600 | 51000 | 39600 | 46800 | 35400 | 68000 | 52800 | 62400 | 47200 | | |
| 1100 | 760 | 1650 | 1140 | 1650 | 1140 | 2200 | 1520 | 2200 | 1520 | 2750 | 1900 | 2750 | 1900 | 2200 | 1520 | 2200 | 1520 | 3300 | 2280 | 3300 | 2280 | 4400 | 3040 | 4400 | 3040 | | |
| 2,4 | 1,4 | 3,6 | 2,1 | 3,6 | 2,1 | 4,8 | 2,8 | 4,8 | 2,8 | 6 | 3,5 | 6 | 3,5 | 4,8 | 2,8 | 4,8 | 2,8 | 7,2 | 4,2 | 7,2 | 4,2 | 9,6 | 5,6 | 9,6 | 5,6 | | |
| 46 | 40 | 47 | 64 | 47 | 41 | 48 | 42 | 48 | 42 | 49 | 43 | 49 | 43 | 48 | 42 | 48 | 42 | 50 | 44 | 50 | 44 | 51 | 45 | 51 | 45 | | |
| 6521C | | 6530F | | 6531C | | 6540B | | 6541B | | 6550B | | 6551B | | 6545C | | 6546C | | 6565F | | 6566C | | 6585B | | 6586B | | | |
| 38 | 29 | 51,5 | 43 | 58 | 44,5 | 68 | 57 | 76 | 58,5 | 87 | 72 | 97 | 73,5 | 69 | 58 | 77 | 59 | 105 | 88 | 120 | 90 | 140 | 118 | 156 | 120 | | |
| 7 | 5,4 | 9,7 | 8 | 10,8 | 8,3 | 12,7 | 10,7 | 14,2 | 11 | 16,2 | 13,4 | 18,1 | 13,7 | 12,8 | 10,9 | 14,3 | 11 | 19,6 | 16,4 | 22,5 | 16,8 | 26,1 | 22 | 29,1 | 22,4 | | |
| 16 | 11 | 38 | 30 | 47 | 32 | 33 | 24 | 15 | 11 | 60 | 45 | 27 | 19 | 36 | 27 | 17 | 12 | 38 | 32 | 46 | 33 | 31 | 27 | 16 | 11 | | |
| 10200 | 7600 | 16500 | 12600 | 15300 | 11400 | 22000 | 16800 | 20400 | 15200 | 27500 | 21000 | 25500 | 19000 | 22000 | 16800 | 20400 | 15200 | 33000 | 25200 | 30600 | 22800 | 44000 | 33600 | 40800 | 30400 | | |
| 400 | 260 | 600 | 390 | 600 | 390 | 800 | 520 | 800 | 520 | 1000 | 650 | 1000 | 650 | 800 | 520 | 800 | 520 | 1200 | 780 | 1200 | 780 | 1600 | 1040 | 1600 | 1040 | | |
| 1 | 0,5 | 1,5 | 0,75 | 1,5 | 0,75 | 2 | 1 | 2 | 1 | 2,5 | 1,25 | 2,5 | 1,25 | 2 | 1 | 2 | 1 | 3 | 1,5 | 3 | 1,5 | 4 | 2 | 4 | 2 | | |
| 38 | 31 | 39 | 32 | 39 | 32 | 40 | 33 | 40 | 33 | 41 | 34 | 41 | 34 | 40 | 33 | 40 | 33 | 42 | 35 | 42 | 35 | 43 | 36 | 43 | 36 | | |
| | | 6630C | | | | 6640F | | | | 6650B | | | | 6645D | | | | 6665C | | | | 6685F | | | | | |
| | | 39,8 31 | | | | 53,1 42 | | | | 65,8 52 | | | | 53,5 42 | | | | 80,4 64 | | | | 107,4 85 | | | | | |
| | | 7,5 5,7 | | | | 10 7,9 | | | | 12,3 9,7 | | | | 10 7,9 | | | | 15,1 11,9 | | | | 20,1 15,9 | | | | | |
| | | 54 34 | | | | 53 35 | | | | 39 31 | | | | 49 33 | | | | 71 49 | | | | 55 36 | | | | | |
| | | 10800 7800 | | | | 14400 10400 | | | | 18000 13000 | | | | 14400 10400 | | | | 21600 15600 | | | | 28800 20800 | | | | | |
| | | 330 195 | | | | 440 260 | | | | 550 325 | | | | 440 260 | | | | 660 390 | | | | 880 520 | | | | | |
| | | 0,9 0,45 | | | | 1,2 0,6 | | | | 1,5 0,75 | | | | 1,2 0,6 | | | | 1,8 0,9 | | | | 2,4 1,2 | | | | | |
| | | 28 21 | | | | 29 22 | | | | 30 23 | | | | 29 22 | | | | 31 24 | | | | 32 25 | | | | | |
| | | 2 00 | | 3 000 | | 3 000 | | 4 000 | | 4 000 | | 5 0000 | | 5 0000 | | 4 000 | | 4 000 | | 6 000 | | 6 000 | | 8 0000 | | 8 0000 | |
| △ 20 △ | | △ 20 △ | | △ 29 △ | | △ 26 △ | | △ 40 △ | | △ 34 △ | | △ 48 △ | | △ 28 △ | | △ 45 △ | | △ 44 △ | | △ 62 △ | | △ 56 △ | | △ 88 △ | | | |
| 2393 | | 3393 | | 3393 | | 4393 | | 4393 | | 5393 | | 5393 | | 2393 | | 2393 | | 3393 | | 3393 | | 4393 | | 4393 | | | |
| 2373 | | 3373 | | 3373 | | 4373 | | 4373 | | 5373 | | 5373 | | 2393 | | 2393 | | 3393 | | 3393 | | 4393 | | 4393 | | | |
| 1110 | | 1110 | | 1110 | | 1110 | | 1110 | | 1110 | | 1110 | | 2120 | | 2120 | | 2120 | | 2120 | | 2120 | | 2120 | | | |
| 1040 | | 1040 | | 1040 | | 1040 | | 1040 | | 1040 | | 1040 | | 2120 | | 2120 | | 2120 | | 2120 | | 2120 | | 2120 | | | |
| 705 | | 705 | | 705 | | 705 | | 705 | | 705 | | 705 | | 990 | | 990 | | 990 | | 990 | | 990 | | 990 | | | |

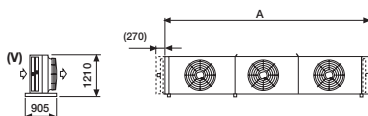
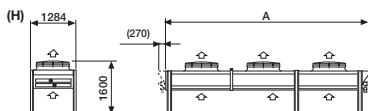
36 - 927 kW



| Modello | Type | SAL8S (2.1 mm) | – | 2111C | 2112D | – | 2121B | |
|--|---------------------------------------|--|---|-------------|-------------|---|-------------|--|
| Potenza | Rating | □ kW (ΔT 15K) Glycol 34% | – | 51 43 | 57 46 | – | 102 86 | |
| Fluido refrigerante Refrigerant fluid | m ³ /h Portata Flowrate | – | – | 9,6 8,0 | 10,8 8,7 | – | 19,2 16,0 | |
| | | kPa Perdita di carico Pressure drop | – | 24 17 | 49 33 | – | 22 16 | |
| Portata d'aria | Air quantity | m ³ /h | – | 17200 13100 | 16100 11900 | – | 34400 26200 | |
| Assorbimento motori Motor power consumption | 6P Ø800 | W | – | 1750 1170 | 1750 1170 | – | 3500 2340 | |
| | | A | – | 3,8 2,2 | 3,8 2,2 | – | 7,6 4,4 | |
| Livello pressione sonora | Sound pressure level | dB (A) (Total) | – | 48 42 | 48 42 | – | 50 44 | |

| Modello | Type | SAL8T (2.1 mm) | 3110C | 3111D | 3112D | 3120B | 3121F |
|--|---------------------------------------|--|-------------|------------|------------|-------------|-------------|
| Potenza | Rating | □ kW (ΔT 15K) Glycol 34% | 36 31 | 43 35 | 45 35 | 72 62 | 86 70 |
| Fluido refrigerante Refrigerant fluid | m ³ /h Portata Flowrate | – | 6,7 5,8 | 8,0 6,5 | 8,4 6,5 | 13,4 11,5 | 16,1 13,1 |
| | | kPa Perdita di carico Pressure drop | – | 27 20 | 45 31 | 31 20 | 20 15 |
| Portata d'aria | Air quantity | m ³ /h | 13400 10600 | 12600 9400 | 11600 8500 | 26800 21200 | 25200 18800 |
| Assorbimento motori Motor power consumption | 8P Ø800 | W | 850 540 | 850 540 | 850 540 | 1700 1080 | 1700 1080 |
| | | A | 2,3 1,1 | 2,3 1,1 | 2,3 1,1 | 4,6 2,2 | 4,6 2,2 |
| Livello pressione sonora | Sound pressure level | dB (A) (Total) | 42 36 | 42 36 | 42 36 | 44 38 | 44 38 |

| | | Dati comuni | | / | | Common data | |
|----------------------------|-------------------------|-----------------|------|------|------|-------------|------|
| Elettroventilatori Fans | Ø 800 mm x n° | 1 ○ | 1 ○ | 1 ○ | 2 ○○ | 2 ○○ | |
| | Collegamento Connection | △ △ | △ △ | △ △ | △ △ | △ △ | |
| Volume circuito | Volume circuit | dm ³ | 11 | 17 | 22 | 21 | 33 |
| Dimensioni | Dimensions | A mm (H - V) | 2090 | 2090 | 2090 | 3690 | 3690 |



| Modello | Type | SAL8S (2.1 mm) | – | 2221B | 2222F | – | 2231E | 2232E |
|--|---------------------------------------|--|---|-------------|-------------|---|--------------|-------------|
| Potenza | Rating | □ kW (ΔT 15K) Glycol 34% | – | 204 171 | 228 184 | – | 318 267 | 342 278 |
| Fluido refrigerante Refrigerant fluid | m ³ /h Portata Flowrate | – | – | 38,1 32,0 | 42,6 34,4 | – | 59,5 49,9 | 64,0 52,0 |
| | | kPa Perdita di carico Pressure drop | – | 23 17 | 45 30 | – | 53 39 | 38 26 |
| Portata d'aria | Air quantity | m ³ /h | – | 68800 52400 | 64400 47600 | – | 103200 78600 | 96600 71400 |
| Assorbimento motori Motor power consumption | 6P Ø800 | W | – | 7000 4680 | 7000 4680 | – | 10500 7020 | 10500 7020 |
| | | A | – | 15,2 8,8 | 15,2 8,8 | – | 22,8 13,2 | 22,8 13,2 |
| Livello pressione sonora | Sound pressure level | dB (A) (Total) | – | 53 47 | 53 47 | – | 54 48 | 54 48 |

| Modello | Type | SAL8T (2.1 mm) | 3220E | 3221F | 3222F | 3230E | 3231B | 3232B |
|--|---------------------------------------|--|-------------|-------------|-------------|-------------|-------------|-------------|
| Potenza | Rating | □ kW (ΔT 15K) Glycol 34% | 144 123 | 172 140 | 180 139 | 225 193 | 261 212 | 272 211 |
| Fluido refrigerante Refrigerant fluid | m ³ /h Portata Flowrate | – | 26,9 23,1 | 32,2 26,2 | 33,7 26,1 | 42,0 36,1 | 48,8 39,5 | 50,9 39,4 |
| | | kPa Perdita di carico Pressure drop | – | 20 15 | 40 28 | 29 18 | 62 47 | 46 31 |
| Portata d'aria | Air quantity | m ³ /h | 53600 42400 | 50400 37600 | 46400 34000 | 80400 63600 | 75600 56400 | 69600 51000 |
| Assorbimento motori Motor power consumption | 8P Ø800 | W | 3400 2160 | 3400 2160 | 3400 2160 | 5100 3240 | 5100 3240 | 5100 3240 |
| | | A | 9,2 4,4 | 9,2 4,4 | 9,2 4,4 | 13,8 6,6 | 13,8 6,6 | 13,8 6,6 |
| Livello pressione sonora | Sound pressure level | dB (A) (Total) | 47 41 | 47 41 | 47 41 | 48 42 | 48 42 | 48 42 |

| | | Dati comuni | | / | | Common data | |
|----------------------------|-------------------------|-----------------|------|------|-------|-------------|-------|
| Elettroventilatori Fans | Ø 800 mm x n° | 4 ○○ | 4 ○○ | 4 ○○ | 6 ○○○ | 6 ○○○ | 6 ○○○ |
| | Collegamento Connection | △ △ | △ △ | △ △ | △ △ | △ △ | △ △ |
| Volume circuito | Volume circuit | dm ³ | 43 | 66 | 86 | 56 | 96 |
| Dimensioni | Dimensions | A mm (H - V) | 3690 | 3690 | 3690 | 5290 | 5290 |

Potenza con tubi puliti
 Rating with clean tubes

Attacchi lati opposti AFN
 Connections opposite sides AFN



| | 2122F | - | 2131E | 2132E | - | 2141A | 2142A | - | 2151A | 2152A |
|--|-------------|-------------|-------------|-------------|-------------|-------------|-------------|-------------|-------------|-------------|
| | 114 92 | - | 159 132 | 171 138 | - | 204 171 | 222 179 | - | 262 220 | 282 230 |
| | 21,3 17,2 | - | 29,8 24,7 | 31,9 25,8 | - | 38,0 31,9 | 41,4 33,5 | - | 49,0 41,1 | 52,6 43,0 |
| | 44 30 | - | 53 38 | 38 26 | - | 22 16 | 20 13 | - | 40 29 | 35 23 |
| | 32200 23800 | - | 51600 39300 | 48300 35700 | - | 68800 52400 | 64400 47600 | - | 86000 65500 | 80500 59500 |
| | 3500 2340 | - | 5250 3510 | 5250 3510 | - | 7000 4680 | 7000 4680 | - | 8750 5850 | 8750 5850 |
| | 7,6 4,4 | - | 11,4 6,6 | 11,4 6,6 | - | 15,2 8,8 | 15,2 8,8 | - | 19,0 11,0 | 19,0 11,0 |
| | 50 44 | - | 52 46 | 52 46 | - | 53 47 | 53 47 | - | 53 47 | 53 47 |
| | 3122F | 3130B | 3131B | 3132B | 3140A | 3141A | 3142E | 3150A | 3151A | 3152A |
| | 90 70 | 111 95 | 129 105 | 135 104 | 144 123 | 167 136 | 182 141 | 185 159 | 215 174 | 225 174 |
| | 16,8 13,0 | 20,8 17,8 | 24,1 19,6 | 25,2 19,6 | 26,9 23,1 | 31,3 25,4 | 34,0 26,3 | 34,5 29,6 | 40,1 32,7 | 42,0 32,6 |
| | 29 18 | 61 46 | 44 30 | 34 21 | 30 22 | 15 10 | 53 34 | 53 40 | 27 19 | 22 14 |
| | 23200 17000 | 40200 31800 | 37800 28200 | 34800 25500 | 53600 42400 | 50400 37600 | 46400 34000 | 67000 53000 | 63000 47000 | 58000 42500 |
| | 1700 1080 | 2550 1620 | 2550 1620 | 2550 1620 | 3400 2160 | 3400 2160 | 3400 2160 | 4250 2700 | 4250 2700 | 4250 2700 |
| | 4,6 2,2 | 6,9 3,3 | 6,9 3,3 | 6,9 3,3 | 9,2 4,4 | 9,2 4,4 | 9,2 4,4 | 11,5 5,5 | 11,5 5,5 | 11,5 5,5 |
| | 44 38 | 46 40 | 46 40 | 46 40 | 47 41 | 47 41 | 47 41 | 47 41 | 47 41 | 47 41 |
| | 2 00 | 3 000 | 3 000 | 3 000 | 4 0000 | 4 0000 | 4 0000 | 5 00000 | 5 0000 | 5 0000 |
| | △ △ | △ △ | △ △ | △ △ | △ △ | △ △ | △ △ | △ △ | △ △ | △ △ |
| | 44 | 28 | 48 | 65 | 43 | 66 | 86 | 53 | 81 | 106 |
| | 3690 | 5290 | 5290 | 5290 | 6890 | 6890 | 6890 | 8490 | 8490 | 8490 |

| | - | 2241A | 2242A | - | 2251A | 2252A | - | 2261N | 2262N | - | 2271N | 2272N | - | 2281N | 2282N |
|--|--------------|---------------|--------------|---------------|---------------|---------------|---------------|---------------|---------------|---------------|---------------|---------------|---------------|---------------|---------------|
| | - | 408 345 | 444 362 | - | 524 444 | 564 464 | - | 633 539 | 686 562 | - | 745 634 | 806 660 | - | 857 729 | 927 758 |
| | - | 76,3 64,6 | 83,1 67,7 | - | 97,9 83,0 | 105,5 86,7 | - | 118,3 100,7 | 128,2 105,1 | - | 139,2 118,4 | 150,7 123,4 | - | 160,2 136,3 | 173,4 141,8 |
| | - | 22 16 | 20 13 | - | 40 29 | 35 24 | - | 54 39 | 41 28 | - | 82 60 | 62 42 | - | 117 86 | 88 60 |
| | - | 137600 104800 | 128800 95200 | - | 172000 131000 | 161000 119000 | - | 206400 157200 | 193200 142800 | - | 240800 183400 | 225400 166600 | - | 275200 209600 | 257600 190400 |
| | - | 14000 9360 | 14000 9360 | - | 17500 11700 | 17500 11700 | - | 21000 14040 | 21000 14040 | - | 24500 16380 | 24500 16380 | - | 28000 18720 | 28000 18720 |
| | - | 30,4 17,6 | 30,4 17,6 | - | 38,0 22,0 | 38,0 22,0 | - | 45,6 26,4 | 45,6 26,4 | - | 53,2 30,8 | 53,2 30,8 | - | 60,8 35,2 | 60,8 35,2 |
| | - | 55 49 | 55 49 | - | 56 50 | 56 50 | - | 57 51 | 57 51 | - | 58 52 | 58 52 | - | 58 52 | 58 52 |
| | 3240N | 3241A | 3242E | 3250N | 3251A | 3252A | 3260N | 3261A | 3262A | 3270N | 3271N | 3272N | 3280N | 3281N | 3282N |
| | 290 249 | 338 275 | 367 284 | 373 320 | 434 352 | 454 352 | 454 389 | 526 427 | 550 426 | 535 458 | 619 502 | 646 500 | 615 527 | 712 577 | 742 573 |
| | 54,2 46,6 | 63,1 51,4 | 68,6 53,1 | 69,7 59,9 | 81,1 65,8 | 84,8 65,8 | 84,8 72,8 | 98,4 79,9 | 102,8 79,6 | 100,0 85,7 | 115,8 93,9 | 120,8 93,5 | 115,0 98,6 | 133,1 107,8 | 138,7 107,2 |
| | 30 22 | 15 10 | 54 34 | 53 40 | 28 19 | 23 14 | 60 46 | 45 30 | 36 22 | 86 65 | 57 39 | 40 25 | 124 94 | 82 56 | 57 36 |
| | 107200 84800 | 100800 75200 | 92800 68000 | 134000 106000 | 126000 94000 | 116000 85000 | 160800 127200 | 151200 112800 | 139200 102000 | 187600 148400 | 176400 131600 | 162400 119000 | 214400 169600 | 201600 150400 | 185600 136000 |
| | 6800 4320 | 6800 4320 | 6800 4320 | 8500 5400 | 8500 5400 | 8500 5400 | 10200 6480 | 10200 6480 | 10200 6480 | 11900 7560 | 11900 7560 | 11900 7560 | 13600 8640 | 13600 8640 | 13600 8640 |
| | 18,4 8,8 | 18,4 8,8 | 18,4 8,8 | 23,0 11,0 | 23,0 11,0 | 23,0 11,0 | 27,6 13,2 | 27,6 13,2 | 27,6 13,2 | 32,2 15,4 | 32,2 15,4 | 32,2 15,4 | 36,8 17,6 | 36,8 17,6 | 36,8 17,6 |
| | 49 43 | 49 43 | 49 43 | 50 44 | 50 44 | 50 44 | 51 45 | 51 45 | 51 45 | 52 46 | 52 46 | 52 46 | 52 46 | 52 46 | 52 46 |
| | 8 0000 | 8 0000 | 8 0000 | 10 00000 | 10 00000 | 10 00000 | 12 000000 | 12 000000 | 12 000000 | 14 0000000 | 14 0000000 | 14 0000000 | 16 00000000 | 16 00000000 | 16 00000000 |
| | △ △ | △ △ | △ △ | △ △ | △ △ | △ △ | △ △ | △ △ | △ △ | △ △ | △ △ | △ △ | △ △ | △ △ | △ △ |
| | 86 | 132 | 172 | 108 | 162 | 212 | 162 | 223 | 283 | 182 | 253 | 323 | 202 | 283 | 363 |
| | 6890 | 6890 | 6890 | (H) 8490 | (H) 8490 | (H) 8490 | (H) 10090 | (H) 10090 | (H) 10090 | (H) 11690 | (H) 11690 | (H) 11690 | (H) 13290 | (H) 13290 | (H) 13290 |

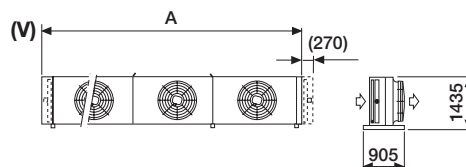
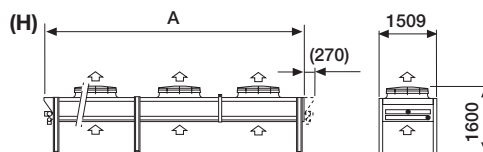
48 - 651 kW

New



| Modello | Model | XHL95F (2,1 mm) | 4117C | 6119C | 4127B | 6129E |
|---------------------------|----------------------------|---|-------|-------|-------|-------|
| Potenza | Capacity | <input type="checkbox"/> kW (ΔT 15K) Glycol 34% | 95 | 102 | 191 | 207 |
| Fluido refrigerante | | m ³ /h Portata Flowrate | 18,4 | 19,8 | 37,4 | 40,6 |
| Refrigerant fluid | | kPa Perdita di carico Pressure drop | 75 | 61 | 61 | 40 |
| Portata d'aria | Air quantity | m ³ /h | 29100 | 27600 | 58200 | 55200 |
| Assorbimento motori | | W | 2637 | 2730 | 5274 | 5460 |
| Motor power consumption | 400V - 3ph - 50Hz | A | 4,6 | 4,6 | 9,2 | 9,2 |
| Livello pressione sonora | Sound pressure level | dB (A) (Total) | 55 | 55 | 57 | 57 |
| Attacchi | Connections | Ø" | 2 | 2 | 2 1/2 | 4 |
| Modello | Model | XHL95N (2,1 mm) | 1113C | 7114C | 1123B | 7124E |
| Potenza | Capacity | <input type="checkbox"/> kW (ΔT 15K) Glycol 34% | 89 | 95 | 179 | 192 |
| Fluido refrigerante | | m ³ /h Portata Flowrate | 17,3 | 18,4 | 35,1 | 37,6 |
| Refrigerant fluid | | kPa Perdita di carico Pressure drop | 67 | 54 | 55 | 35 |
| Portata d'aria | Air quantity | m ³ /h | 26500 | 25100 | 53000 | 50200 |
| Assorbimento motori | | W | 2040 | 2110 | 4080 | 4220 |
| Motor power consumption | 400V - 3ph - 50Hz | A | 3,5 | 3,5 | 7 | 7 |
| Livello pressione sonora | Sound pressure level | dB (A) (Total) | 52 | 52 | 54 | 54 |
| Attacchi | Connections | Ø" | 2 | 2 | 2 1/2 | 4 |
| DATI COMUNI / COMMON DATA | | | | | | |
| Elettroventilatori | Fans | Ø 950 mm x n° | 1 o | 1 o | 2 oo | 2 oo |
| Superficie esterna | TURBOCOIL External surface | m ² | 182,5 | 243,3 | 365,0 | 486,6 |
| Superficie interna | Internal surface | m ² | 10,1 | 13,5 | 20,3 | 27,0 |
| Volume circuito | Circuit volume | dm ³ | 30,2 | 38,3 | 64,8 | 88,7 |
| Peso | Weight | kg | 301,0 | 321,0 | 522,0 | 564,0 |
| Dimensioni | Dimensions | A mm (H-V) | 2623 | 2623 | 4756 | 4756 |

| Modello | Model | XHL95X (2,1 mm) | 7113C | 7117C | 6115D | 7123E | 7127B | 6125B |
|---------------------------|----------------------------|---|-------|-------|-------|-------|-------|-------|
| Potenza | Capacity | <input type="checkbox"/> kW (ΔT 15K) Glycol 34% | 57 | 62 | 65 | 113 | 124 | 127 |
| Fluido refrigerante | | m ³ /h Portata Flowrate | 11,1 | 12 | 12,6 | 21,9 | 24,1 | 24,6 |
| Refrigerant fluid | | kPa Perdita di carico Pressure drop | 63 | 35 | 59 | 43 | 28 | 20 |
| Portata d'aria | Air quantity | m ³ /h | 17400 | 16100 | 15900 | 34800 | 32200 | 31800 |
| Assorbimento motori | | W | 530 | 560 | 570 | 1060 | 1120 | 1140 |
| Motor power consumption | 400V - 3ph - 50Hz | A | 0,9 | 0,9 | 0,9 | 1,8 | 1,8 | 1,8 |
| Livello pressione sonora | Sound pressure level | dB (A) (Total) | 39 | 39 | 39 | 41 | 41 | 41 |
| Attacchi | Connections | Ø" | 1 1/2 | 2 | 2 | 2 1/2 | 2 1/2 | 2 1/2 |
| Modello | Model | XHL95U (2,1 mm) | 5119C | 8113C | 5129E | 8123B | | |
| Potenza | Capacity | <input type="checkbox"/> kW (ΔT 15K) Glycol 34% | 48 | 51 | 98 | 104 | | |
| Fluido refrigerante | | m ³ /h Portata Flowrate | 9,3 | 9,9 | 19 | 20,2 | | |
| Refrigerant fluid | | kPa Perdita di carico Pressure drop | 47 | 24 | 98 | 53 | | |
| Portata d'aria | Air quantity | m ³ /h | 13700 | 12600 | 27400 | 25200 | | |
| Assorbimento motori | | W | 310 | 330 | 620 | 660 | | |
| Motor power consumption | 230V - 1ph - 50Hz | A | 1,5 | 1,6 | 3,0 | 3,2 | | |
| Livello pressione sonora | Sound pressure level | dB (A) (Total) | 35 | 35 | 37 | 37 | | |
| Attacchi | Connections | Ø" | 1 1/2 | 2 | 2 1/2 | 2 1/2 | | |
| DATI COMUNI / COMMON DATA | | | | | | | | |
| Elettroventilatori | Fans | Ø 950 mm x n° | 1 o | 1 o | 1 o | 2 oo | 2 oo | 2 oo |
| Superficie esterna | TURBOCOIL External surface | m ² | 121,7 | 182,5 | 210,7 | 243,4 | 365,0 | 421,4 |
| Superficie interna | Internal surface | m ² | 6,8 | 10,1 | 13,5 | 13,5 | 20,3 | 27,0 |
| Volume circuito | Circuit volume | dm ³ | 19,8 | 30,2 | 38,3 | 48,7 | 64,8 | 80,9 |
| Peso | Weight | kg | 276,0 | 301,0 | 321,0 | 465,0 | 522,0 | 564,0 |
| Dimensioni | Dimensions | A mm (H-V) | 2623 | 2623 | 2623 | 4756 | 4756 | 4756 |



- Potenza con tubi puliti
- Capacity with clean tubes

Attacchi lati opposti: **A-F-N**
 Connections opposite sides: **A-F-N**




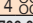

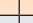
| | 4137A | 6139A | | 4147A | 6149A | | 4157N | 6159N | 4167N | 6169N |
|--|--------------|--------------|--|--------------|--------------|--|--------------|--------------|--------------|--------------|
| | 279 | 304 | | 384 | 417 | | 492 | 533 | 601 | 651 |
| | 54,7 | 59,6 | | 76 | 82,5 | | 98,3 | 106,4 | 121,2 | 131,3 |
| | 36 | 35 | | 75 | 71 | | 95 | 71 | 158 | 117 |
| | 87300 | 82800 | | 116400 | 110400 | | 145500 | 138000 | 174600 | 165600 |
| | 7911 | 8190 | | 10548 | 10920 | | 13185 | 13650 | 15822 | 16380 |
| | 13,8 | 13,8 | | 18,4 | 18,4 | | 23 | 23 | 27,6 | 27,6 |
| | 59 | 59 | | 59 | 59 | | 60 | 60 | 61 | 61 |
| | 4 | 4 | | 4 | 4 | | 2x4 | 2x4 | 2x4 | 2x4 |
| | 1133A | 7134A | | 1143A | 7144A | | 1153N | 7154N | 1163N | 7164N |
| | 263 | 283 | | 362 | 388 | | 462 | 496 | 565 | 606 |
| | 51,5 | 55,4 | | 71,6 | 76,8 | | 92,3 | 99,1 | 113,9 | 122,2 |
| | 32 | 31 | | 67 | 62 | | 85 | 62 | 142 | 103 |
| | 79500 | 75300 | | 106000 | 100400 | | 132500 | 125500 | 159000 | 150600 |
| | 6120 | 6330 | | 8160 | 8440 | | 10200 | 10550 | 12240 | 12660 |
| | 10,5 | 10,5 | | 14 | 14 | | 17,5 | 17,5 | 21 | 21 |
| | 56 | 56 | | 56 | 56 | | 57 | 57 | 58 | 58 |
| | 4 | 4 | | 4 | 4 | | 2x4 | 2x4 | 2x4 | 2x4 |
| | 3 000 | 3 000 | | 4 0000 | 4 0000 | | 5 00000 | 5 00000 | 6 000000 | 6 000000 |
| | 547,5 | 729,9 | | 730,0 | 973,2 | | 912,5 | 1216,5 | 1095,0 | 1459,8 |
| | 30,4 | 40,6 | | 40,6 | 54,1 | | 50,7 | 67,6 | 60,9 | 81,1 |
| | 96,7 | 120,8 | | 120,8 | 153,0 | | 145,0 | 185,2 | 169,1 | 217,4 |
| | 733,0 | 795,0 | | 971,0 | 1053,0 | | 1192,0 | 1297,0 | 1416,0 | 1539,0 |
| | 6889 | 6889 | | 9022 | 9022 | | 11155 | 11155 | 13288 | 13288 |


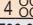

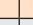


| | 7133A | 7137B | 6135B | 7143A | 7147A | 6145A | 7153N | 7157A | 7163A | 7167A | 6165A |
|--|--------------|--------------|--------------|--------------|--------------|--------------|--------------|--------------|--------------|--------------|--------------|
| | 167 | 192 | 195 | 228 | 251 | 256 | 291 | 320 | 356 | 391 | 398 |
| | 32,7 | 37,6 | 38,2 | 44,7 | 49,2 | 50,2 | 57,6 | 63,3 | 71,1 | 78,1 | 79,5 |
| | 27 | 82 | 57 | 57 | 34 | 28 | 77 | 60 | 139 | 97 | 77 |
| | 52200 | 48300 | 47700 | 69600 | 64400 | 63600 | 87000 | 80500 | 104400 | 96600 | 95400 |
| | 1590 | 1680 | 1710 | 2120 | 2240 | 2280 | 2650 | 2800 | 3120 | 3360 | 3420 |
| | 2,7 | 2,7 | 2,7 | 3,6 | 3,6 | 3,6 | 4,5 | 4,5 | 5,4 | 5,4 | 5,4 |
| | 43 | 43 | 43 | 43 | 43 | 43 | 44 | 44 | 45 | 45 | 45 |
| | 2 ½ | 2 ½ | 2 ½ | 2 ½ | 4 | 4 | 2x 2 ½ | 4 | 4 | 4 | 4 |
| | 5139A | 8133B | | 5149A | 8143A | | 5159N | 8153A | 5169A | 8163A | |
| | 147 | 156 | | 196 | 212 | | 248 | 264 | 301 | 319 | |
| | 28,5 | 30,3 | | 38,8 | 41,5 | | 49,1 | 52,2 | 59,5 | 63,1 | |
| | 96 | 57 | | 43 | 110 | | 57 | 42 | 121 | 67 | |
| | 41100 | 37800 | | 54800 | 50400 | | 68500 | 63000 | 82200 | 75600 | |
| | 930 | 990 | | 1240 | 1320 | | 1550 | 1650 | 1860 | 1980 | |
| | 4,5 | 4,8 | | 6,0 | 6,4 | | 7,5 | 8,0 | 9,0 | 9,6 | |
| | 39 | 39 | | 39 | 39 | | 40 | 40 | 41 | 41 | |
| | 2 ½ | 2 ½ | | 2 ½ | 2x4 | | 2x2 ½ | 4 | 2 ½ | 4 | |
| | 3 000 | 3 000 | 3 000 | 4 0000 | 4 0000 | 4 0000 | 5 00000 | 5 00000 | 6 000000 | 6 000000 | 6 000000 |
| | 365,1 | 547,5 | 632,1 | 486,8 | 730,0 | 842,8 | 608,5 | 912,5 | 730,2 | 1095,0 | 1264,2 |
| | 20,3 | 30,4 | 40,6 | 27,0 | 40,6 | 54,1 | 33,8 | 50,7 | 40,6 | 60,9 | 81,1 |
| | 64,8 | 88,9 | 113,0 | 80,9 | 120,8 | 153,0 | 97,0 | 145,0 | 121,0 | 169,1 | 217,4 |
| | 664,0 | 733,0 | 795,0 | 878,0 | 971,0 | 1053,0 | 1078,0 | 1192,0 | 1320,0 | 1416,0 | 1539,0 |
| | 6889 | 6889 | 6889 | 9022 | 9022 | 9022 | 11155 | 11155 | 11155 | 13288 | 13288 |

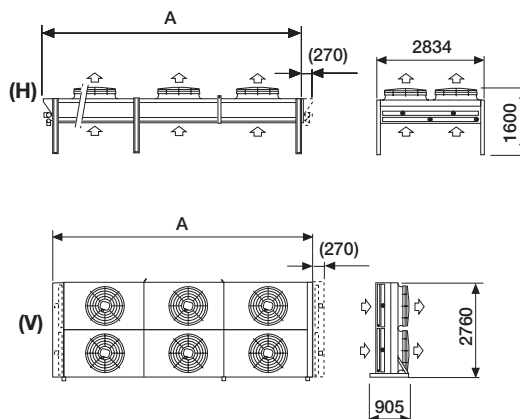
197 - 1330 kW

New



| Modello | Model | XHL95F (2,1 mm) | 4228B | 6229B | 4238A | 6239A |
|---------------------------|----------------------------|---|---|---|---|---|
| Potenza | Capacity | <input type="checkbox"/> kW (ΔT 15K) Glycol 34% | 386 | 419 | 577 | 627 |
| Fluido refrigerante | | m ³ /h Portata Flowrate | 76,4 | 82,9 | 116,3 | 126,4 |
| Refrigerant fluid | | kPa Perdita di carico Pressure drop | 78 | 73 | 37 | 36 |
| Portata d'aria | Air quantity | m ³ /h | 116400 | 110400 | 174600 | 165600 |
| Assorbimento motori | | W | 10548 | 10920 | 15822 | 16380 |
| Motor power consumption | 400V - 3ph - 50Hz | A | 18,4 | 18,4 | 27,6 | 27,6 |
| Livello pressione sonora | Sound pressure level | dB (A) (Total) | 59 | 59 | 61 | 61 |
| Attacchi | Connections | Ø" | 4 | 4 | 2x4 | 2x4 |
| Modello | Model | XHL95N (2,1 mm) | 6223B | 6224B | 6233A | 6234A |
| Potenza | Capacity | <input type="checkbox"/> kW (ΔT 15K) Glycol 34% | 363 | 390 | 543 | 584 |
| Fluido refrigerante | | m ³ /h Portata Flowrate | 71,8 | 77,1 | 109,5 | 117,7 |
| Refrigerant fluid | | kPa Perdita di carico Pressure drop | 69 | 64 | 33 | 32 |
| Portata d'aria | Air quantity | m ³ /h | 106000 | 100400 | 159000 | 150600 |
| Assorbimento motori | | W | 8160 | 8440 | 12240 | 12660 |
| Motor power consumption | 400V - 3ph - 50Hz | A | 14 | 14 | 21 | 21 |
| Livello pressione sonora | Sound pressure level | dB (A) (Total) | 56 | 56 | 58 | 58 |
| Attacchi | Connections | Ø" | 4 | 4 | 2x4 | 2x4 |
| DATI COMUNI / COMMON DATA | | | | | | |
| Elettroventilatori | Fans | Ø 950 mm x n° | 4  | 4  | 6  | 6  |
| Superficie esterna | TURBOCOIL External surface | m ² | 730,0 | 973,2 | 1095,0 | 1459,8 |
| Superficie interna | Internal surface | m ² | 40,6 | 54,1 | 60,9 | 81,2 |
| Volume circuito | Circuit volume | dm ³ | 145,2 | 177,4 | 193,5 | 241,8 |
| Peso | Weight | kg | 917,0 | 1006,0 | 1328,0 | 1462,0 |
| Dimensioni | Dimensions | A mm (H-V) | 4756 | 4756 | 6889 | 6889 |

| Modello | Model | XHL95X (2,1 mm) | 7223B | 7227B | 1225F | 7233A | 7237E | 1235E |
|---------------------------|----------------------------|---|---|---|---|---|---|---|
| Potenza | Capacity | <input type="checkbox"/> kW (ΔT 15K) Glycol 34% | 229 | 252 | 261 | 342 | 393 | 400 |
| Fluido refrigerante | | m ³ /h Portata Flowrate | 44,9 | 49,4 | 51,1 | 68,3 | 78,5 | 79,9 |
| Refrigerant fluid | | kPa Perdita di carico Pressure drop | 59 | 35 | 57 | 28 | 76 | 50 |
| Portata d'aria | Air quantity | m ³ /h | 69600 | 64400 | 63600 | 104400 | 96600 | 95400 |
| Assorbimento motori | | W | 2120 | 2240 | 2280 | 3180 | 3360 | 3420 |
| Motor power consumption | 400V - 3ph - 50Hz | A | 3,6 | 3,6 | 3,6 | 5,4 | 5,4 | 5,4 |
| Livello pressione sonora | Sound pressure level | dB (A) (Total) | 43 | 43 | 43 | 45 | 45 | 45 |
| Attacchi | Connections | Ø" | 2 1/2 | 4 | 4 | 2x 2 1/2 | 2x4 | 2x4 |
| Modello | Model | XHL95U (2,1 mm) | 5229B | 8223B | 5239A | 8233E | | |
| Potenza | Capacity | <input type="checkbox"/> kW (ΔT 15K) Glycol 34% | 197 | 211 | 302 | 320 | | |
| Fluido refrigerante | | m ³ /h Portata Flowrate | 39 | 41,3 | 59,7 | 63,3 | | |
| Refrigerant fluid | | kPa Perdita di carico Pressure drop | 45 | 58 | 99 | 53 | | |
| Portata d'aria | Air quantity | m ³ /h | 54800 | 50400 | 82200 | 75600 | | |
| Assorbimento motori | | W | 1240 | 1320 | 1860 | 1980 | | |
| Motor power consumption | 230V - 1ph - 50Hz | A | 6,0 | 6,4 | 9,0 | 9,6 | | |
| Livello pressione sonora | Sound pressure level | dB (A) (Total) | 39 | 39 | 41 | 41 | | |
| Attacchi | Connections | Ø" | 2 1/2 | 4 | 2x2 1/2 | 2x4 | | |
| DATI COMUNI / COMMON DATA | | | | | | | | |
| Elettroventilatori | Fans | Ø 950 mm x n° | 4  | 4  | 4  | 6  | 6  | 6  |
| Superficie esterna | TURBOCOIL External surface | m ² | 486,8 | 730,0 | 842,8 | 730,2 | 1095,0 | 1264,2 |
| Superficie interna | Internal surface | m ² | 27,1 | 40,6 | 54,1 | 40,6 | 60,9 | 81,2 |
| Volume circuito | Circuit volume | dm ³ | 97,4 | 145,2 | 177,4 | 129,6 | 193,5 | 241,8 |
| Peso | Weight | kg | 819,0 | 917,0 | 1006,0 | 1168,0 | 1328,0 | 1462,0 |
| Dimensioni | Dimensions | A mm (H-V) | 4756 | 4756 | 4756 | 6889 | 6889 | 6889 |





- Potenza con tubi puliti
- Capacity with clean tubes

Attacchi lati opposti: A-F-N
Connections opposite sides: A-F-N

| | 4248A | 6249A | | 4258N | 6259N | 4268N | 6269N |
|--|--------|--------|----|--------|--------|--------|--------|
| | 795 | 861 | | 1016 | 1100 | 1231 | 1330 |
| | 161,8 | 175,2 | | 208,7 | 226 | 252,9 | 273,2 |
| | 77 | 73 | | 108 | 85 | 176 | 137 |
| | 232800 | 220800 | | 291000 | 276000 | 349200 | 331200 |
| | 21096 | 21840 | | 26370 | 27300 | 31644 | 32760 |
| | 36,8 | 36,8 | | 46 | 46 | 55,2 | 55,2 |
| | 62 | 62 | | 63 | 63 | 64 | 64 |
| | 2x4 | 2x4 | | 3x4 | 3x4 | 3x4 | 3x4 |
| | 6243A | 6244A | | 6253N | 6254N | 6263N | 6264N |
| | 747 | 802 | | 955 | 1024 | 1157 | 1238 |
| | 152 | 163,2 | | 196,2 | 210,4 | 237,7 | 254,3 |
| | 69 | 64 | | 96 | 75 | 157 | 120 |
| | 212000 | 200800 | | 265000 | 251000 | 318000 | 301200 |
| | 16320 | 16880 | | 20400 | 21100 | 24480 | 25320 |
| | 28 | 28 | | 35 | 35 | 42 | 42 |
| | 59 | 59 | | 60 | 60 | 61 | 61 |
| | 2x4 | 2x4 | | 3x4 | 3x4 | 3x4 | 3x4 |
| | 8 | 8 | 10 | 10 | 10 | 12 | 12 |
| | 1460,0 | 1946,4 | | 1825,0 | 2433,0 | 2190,0 | 2919,6 |
| | 81,2 | 108,2 | | 101,5 | 135,3 | 121,8 | 162,4 |
| | 241,8 | 306,2 | | 290,1 | 370,6 | 338,4 | 435,0 |
| | 1723,0 | 1898,0 | | 2137,0 | 2360,0 | 2563,0 | 2831,0 |
| | 9022 | 9022 | | 11155 | 11155 | 13288 | 13288 |

| | 7243A | 7247A | 1245A | 7253N | 7257A | 7263N | 7267A | 1265A |
|--|----------|--------|--------|--------|--------|--------|--------|--------|
| | 471 | 519 | 529 | 602 | 662 | 736 | 808 | 822 |
| | 95 | 104,6 | 106,7 | 122,5 | 134,7 | 151,2 | 166 | 168,9 |
| | 59 | 35 | 29 | 88 | 63 | 144 | 101 | 80 |
| | 139200 | 128800 | 127200 | 174000 | 161000 | 208800 | 193200 | 190800 |
| | 4240 | 4480 | 4560 | 5300 | 5600 | 6240 | 6720 | 6840 |
| | 7,2 | 7,2 | 7,2 | 9 | 9 | 10,8 | 10,8 | 10,8 |
| | 46 | 46 | 46 | 47 | 47 | 48 | 48 | 48 |
| | 2x 2 1/2 | 2x4 | 2x4 | 2x4 | 2x4 | 2x4 | 2x4 | 2x4 |
| | 5249A | 8243A | | 5259N | 8253A | 5269N | 8263A | |
| | 398 | 424 | | 509 | 541 | 621 | 653 | |
| | 79,5 | 84,7 | | 102,6 | 109,1 | 126,4 | 131,7 | |
| | 43 | 24 | | 65 | 43 | 107 | 69 | |
| | 109600 | 100800 | | 137000 | 126000 | 164400 | 151200 | |
| | 2480 | 2640 | | 3100 | 3300 | 3720 | 3960 | |
| | 12,0 | 12,8 | | 15,0 | 16,0 | 18,0 | 19,2 | |
| | 42 | 42 | | 43 | 43 | 44 | 44 | |
| | 2x2 1/2 | 2x4 | | 2x4 | 2x4 | 2x4 | 2x4 | |
| | 8 | 8 | 8 | 10 | 10 | 12 | 12 | 12 |
| | 973,6 | 1460,0 | 1685,6 | 1217,0 | 1825,0 | 1460,4 | 2190,0 | 2528,4 |
| | 54,1 | 81,2 | 108,2 | 67,7 | 101,5 | 81,2 | 121,8 | 162,4 |
| | 161,8 | 241,8 | 306,2 | 209,6 | 290,1 | 242,0 | 338,4 | 435,0 |
| | 1524,0 | 1723,0 | 1898,0 | 1892,0 | 2137,0 | 2300,0 | 2563,0 | 2831,0 |
| | 9022 | 9022 | 9022 | 11155 | 11155 | 11155 | 13288 | 13288 |

37 - 641 kW



| Modello | Type | XAL9K (2.1 mm) | 2911C | 3911C | 2912B | 3912E |
|--------------------------|-------------------------------------|--------------------------|-------------|-------------|-------------|-------------|
| Potenza | Rating | □ kW (ΔT 15K) Glycol 34% | 90 74 | 100 80 | 181 149 | 202 161 |
| Fluido refrigerante | m³/h Portata Flowrate | | 16,8 13,9 | 18,7 14,9 | 33,8 27,9 | 37,7 30,1 |
| Motor power consumption | kPa Perdita di carico Pressure drop | | 65 45 | 55 36 | 63 44 | 37 24 |
| Portata d'aria | Air quantity | m³/h | 30800 22700 | 29400 21600 | 61600 45400 | 58800 43200 |
| Assorbimento motori | W | 4P Ø 900 | 4590 2790 | 4590 2790 | 9180 5580 | 9180 5580 |
| Motor power consumption | A | | 8 4,6 | 8 4,6 | 16 9,2 | 16 9,2 |
| Livello pressione sonora | Sound pressure level | dB (A) (Total) | 62 53 | 62 53 | 64 55 | 64 55 |

| Modello | Type | XAL9N (2.1 mm) | 5911C | 6911C | 5912B | 6912E |
|--------------------------|-------------------------------------|--------------------------|-------------|-------------|-------------|-------------|
| Potenza | Rating | □ kW (ΔT 15K) Glycol 34% | 78 65 | 85 68 | 157 131 | 170 137 |
| Fluido refrigerante | m³/h Portata Flowrate | | 14,6 12,1 | 15,9 12,8 | 29,4 24,5 | 31,8 25,6 |
| Motor power consumption | kPa Perdita di carico Pressure drop | | 50 36 | 41 27 | 48 35 | 27 18 |
| Portata d'aria | Air quantity | m³/h | 24500 18800 | 23300 17500 | 49000 37600 | 46600 35000 |
| Assorbimento motori | W | 6P Ø 900 | 2300 1560 | 2370 1580 | 4600 3120 | 4740 3160 |
| Motor power consumption | A | | 5,1 2,9 | 5,1 2,9 | 10,2 5,8 | 10,2 5,8 |
| Livello pressione sonora | Sound pressure level | dB (A) (Total) | 54 46 | 54 46 | 56 48 | 56 48 |

| Modello | Type | XAL9X (2.1 mm) | 7911C | 8911C | 9911D | 7912E | 8912B | 9912B |
|--------------------------|-------------------------------------|--------------------------|-------------|-------------|-------------|-------------|-------------|-------------|
| Potenza | Rating | □ kW (ΔT 15K) Glycol 34% | 51 43 | 58 46 | 60 46 | 102 86 | 117 93 | 119 91 |
| Fluido refrigerante | m³/h Portata Flowrate | | 9,5 8 | 10,8 8,6 | 11,2 8,6 | 19,1 16,1 | 21,9 17,4 | 22,3 17,1 |
| Motor power consumption | kPa Perdita di carico Pressure drop | | 50 36 | 29 19 | 49 30 | 37 27 | 28 18 | 22 13 |
| Portata d'aria | Air quantity | m³/h | 17000 13000 | 16000 12000 | 15100 11100 | 34000 26000 | 32000 24000 | 30200 22200 |
| Assorbimento motori | W | 8P Ø 900 | 820 520 | 820 520 | 850 530 | 1640 1040 | 1640 1040 | 1700 1060 |
| Motor power consumption | A | | 2,2 1,15 | 2,2 1,15 | 2,2 1,15 | 4,4 2,3 | 4,4 2,3 | 4,4 2,3 |
| Livello pressione sonora | Sound pressure level | dB (A) (Total) | 43 36 | 43 36 | 43 36 | 45 38 | 45 38 | 45 38 |

| Modello | Type | XAL9U (2.1 mm) | 1911C | 4911C | 1912E | 4912B |
|--------------------------|-------------------------------------|--------------------------|------------|------------|-------------|-------------|
| Potenza | Rating | □ kW (ΔT 15K) Glycol 34% | 37 31 | 39 32 | 75 62 | 78 64 |
| Fluido refrigerante | m³/h Portata Flowrate | | 7 5,8 | 7,3 6 | 14 11,5 | 14,6 11,9 |
| Motor power consumption | kPa Perdita di carico Pressure drop | | 28 20 | 14 10 | 21 15 | 13 9 |
| Portata d'aria | Air quantity | m³/h | 10600 8400 | 10000 7800 | 21200 16800 | 20000 15600 |
| Assorbimento motori | W | 12P Ø 900 | 270 166 | 270 171 | 540 332 | 540 342 |
| Motor power consumption | A | | 0,8 0,4 | 0,8 0,4 | 1,6 0,8 | 1,6 0,8 |
| Livello pressione sonora | Sound pressure level | dB (A) (Total) | 32 26 | 32 26 | 34 28 | 34 28 |

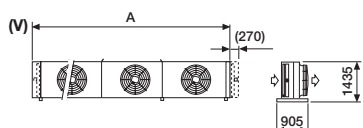
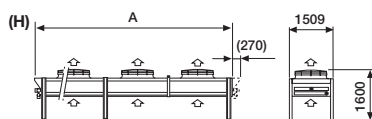
DATI COMUNI / COMMON DATA

| | | | | | | | | |
|--------------------|--------------------|------------|------|------|------|------|------|------|
| Elettroventilatori | Ø 900 mm x n° | 1 o | 1 o | 1 o | 2 oo | 2 oo | 2 oo | |
| Fans | Colleg. Connection | Δ | Δ | Δ | Δ | Δ | Δ | |
| Volume circuito | Circuit vol. | dm³ | 19,8 | 30,2 | 38,5 | 43,2 | 59,6 | 75,9 |
| Dimensioni | Dimensions | A mm (H-V) | 2623 | 2623 | 2623 | 4756 | 4756 | 4756 |

| Modello | Type | XAL10N (2.1 mm) | 2711C | 3711C | 2712B | 3712E |
|--------------------------|-------------------------------------|--------------------------|-------------|-------------|-------------|-------------|
| Potenza | Rating | □ kW (ΔT 15K) Glycol 34% | 83 73 | 91 77 | 168 147 | 183 156 |
| Fluido refrigerante | m³/h Portata Flowrate | | 15,5 13,7 | 17,1 14,4 | 31,3 27,5 | 34,3 29,1 |
| Motor power consumption | kPa Perdita di carico Pressure drop | | 56 44 | 46 34 | 55 43 | 31 23 |
| Portata d'aria | Air quantity | m³/h | 27200 22200 | 25700 20600 | 54400 44400 | 51400 41200 |
| Assorbimento motori | W | 6P Ø 1000 | 2390 1820 | 2450 1820 | 4780 3640 | 4900 3640 |
| Motor power consumption | A | | 5,7 3,3 | 5,7 3,3 | 11,4 6,6 | 11,4 6,6 |
| Livello pressione sonora | Sound pressure level | dB (A) (Total) | 54 49 | 54 49 | 56 51 | 56 51 |

DATI COMUNI / COMMON DATA

| | | | | | | | | |
|--------------------|--------------------|------------|------|------|------|------|------|------|
| Elettroventilatori | Ø 1000 mm x n° | 1 o | 1 o | 1 o | 2 oo | 2 oo | 2 oo | |
| Fans | Colleg. Connection | Δ | Δ | Δ | Δ | Δ | Δ | |
| Volume circuito | Circuit vol. | dm³ | 19,8 | 30,2 | 38,5 | 43,2 | 59,6 | 75,9 |
| Dimensioni | Dimensions | A mm (H-V) | 2623 | 2623 | 2623 | 4756 | 4756 | 4756 |



- Potenza con tubi puliti
- Rating with clean tubes

Attacchi lati opposti AFN
Connections opposite sides AFN

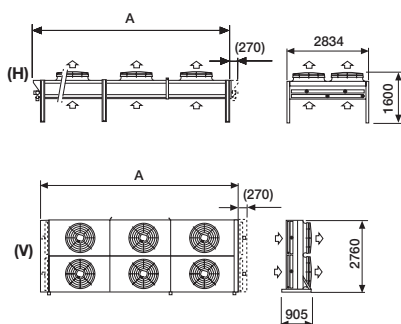


(Optional)

| | | 2913A | | 3913A | | | | 2914A | | 3914A | | | | 2915N | | 3915N | | 2916N | | 3916N | | | |
|--|--|--------------|-------|--------------|-------|--------------|-------|--------------|-------|--------------|-------|--------------|-------|--------------|--------|--------------|--------|--------------|--------|--------------|--------|--------------|-------|
| | | 267 | 221 | 299 | 239 | | | 368 | 304 | 411 | 328 | | | 471 | 389 | 525 | 419 | 577 | 476 | 641 | 511 | | |
| | | 49,9 | 41,3 | 55,8 | 44,7 | | | 68,9 | 56,9 | 76,8 | 61,4 | | | 88,2 | 72,7 | 98,2 | 78,3 | 107,7 | 88,9 | 119,8 | 95,7 | | |
| | | 31 | 22 | 32 | 21 | | | 67 | 47 | 66 | 43 | | | 86 | 61 | 68 | 45 | 145 | 102 | 112 | 74 | | |
| | | 92400 | 68100 | 88200 | 64800 | | | 123200 | 90800 | 117600 | 86400 | | | 154000 | 113500 | 147000 | 108000 | 184800 | 136200 | 176400 | 129600 | | |
| | | 13770 | 8370 | 13770 | 8370 | | | 18360 | 11160 | 18360 | 11160 | | | 22950 | 13950 | 22950 | 13950 | 27540 | 16740 | 27540 | 16740 | | |
| | | 24 | 13,8 | 24 | 13,8 | | | 32 | 18,4 | 32 | 18,4 | | | 40 | 23 | 40 | 23 | 48 | 27,6 | 48 | 27,6 | | |
| | | 66 | 57 | 66 | 57 | | | 66 | 57 | 66 | 57 | | | 67 | 58 | 67 | 58 | 68 | 59 | 68 | 59 | | |
| | | 5913A | | 6913A | | | | 5914A | | 6914A | | | | 5915N | | 6915N | | 5916N | | 6916N | | | |
| | | 232 | 195 | 253 | 204 | | | 320 | 268 | 347 | 277 | | | 409 | 342 | 443 | 350 | 500 | 417 | 541 | 423 | | |
| | | 43,5 | 36,4 | 47,3 | 38,2 | | | 59,9 | 50,1 | 64,9 | 51,8 | | | 76,5 | 63,9 | 82,9 | 65,4 | 93,5 | 78 | 101,2 | 79 | | |
| | | 24 | 17 | 24 | 16 | | | 51 | 37 | 48 | 31 | | | 67 | 48 | 50 | 32 | 112 | 81 | 83 | 52 | | |
| | | 73500 | 56400 | 69900 | 52500 | | | 98000 | 75200 | 93200 | 70000 | | | 122500 | 94000 | 116500 | 87500 | 147000 | 112800 | 139800 | 105000 | | |
| | | 6900 | 4680 | 7110 | 4740 | | | 9200 | 6240 | 9480 | 6320 | | | 11500 | 7800 | 11850 | 7900 | 13800 | 9360 | 14220 | 9480 | | |
| | | 15,3 | 8,7 | 15,3 | 8,7 | | | 20,4 | 11,6 | 20,4 | 11,6 | | | 25,5 | 14,5 | 25,5 | 14,5 | 30,6 | 17,4 | 30,6 | 17,4 | | |
| | | 58 | 50 | 58 | 50 | | | 58 | 50 | 58 | 50 | | | 59 | 51 | 59 | 51 | 60 | 52 | 60 | 52 | | |
| | | 7913A | | 8913B | | 9913B | | 7914A | | 8914A | | 9914A | | 7915N | | 8915A | | 9915A | | 8916A | | 9916A | |
| | | 151 | 127 | 180 | 144 | 181 | 138 | 207 | 174 | 237 | 189 | 238 | 182 | 264 | 221 | 299 | 239 | 300 | 229 | 364 | 289 | 369 | 276 |
| | | 28,1 | 23,8 | 33,6 | 26,9 | 33,8 | 25,8 | 38,7 | 32,5 | 44,2 | 35,3 | 44,5 | 34 | 49,2 | 41,2 | 55,9 | 44,6 | 56,1 | 42,8 | 67,9 | 53,9 | 68,9 | 51,6 |
| | | 29 | 21 | 80 | 53 | 58 | 35 | 60 | 43 | 29 | 19 | 23 | 14 | 67 | 48 | 51 | 34 | 40 | 24 | 83 | 54 | 65 | 37 |
| | | 51000 | 39000 | 48000 | 36000 | 45300 | 33300 | 68000 | 52000 | 64000 | 48000 | 60400 | 44400 | 85000 | 65000 | 80000 | 60000 | 75500 | 55500 | 96000 | 72000 | 90600 | 66600 |
| | | 2460 | 1560 | 2460 | 1560 | 2550 | 1590 | 3280 | 2080 | 3280 | 2080 | 3400 | 2120 | 4100 | 2600 | 4100 | 2600 | 4250 | 2650 | 4920 | 3120 | 5100 | 3180 |
| | | 6,6 | 3,45 | 6,6 | 3,45 | 6,6 | 3,45 | 8,8 | 4,6 | 8,8 | 4,6 | 8,8 | 4,6 | 11 | 5,75 | 11 | 5,75 | 11 | 5,75 | 13,2 | 6,9 | 13,2 | 6,9 |
| | | 47 | 40 | 47 | 40 | 47 | 40 | 47 | 40 | 47 | 40 | 47 | 40 | 48 | 41 | 48 | 41 | 48 | 41 | 49 | 42 | 49 | 42 |
| | | 1913A | | 4913B | | | | 1914A | | 4914A | | | | 1915N | | 4915A | | | | 4916A | | | |
| | | 111 | 93 | 119 | 97 | | | 153 | 126 | 157 | 127 | | | 195 | 160 | 198 | 160 | | | 239 | 193 | | |
| | | 20,8 | 17,4 | 22,3 | 18,1 | | | 28,6 | 23,6 | 29,3 | 23,8 | | | 36,6 | 29,9 | 36,9 | 30 | | | 44,6 | 36,2 | | |
| | | 16 | 12 | 37 | 25 | | | 34 | 23 | 13 | 9 | | | 39 | 27 | 24 | 16 | | | 38 | 26 | | |
| | | 31800 | 25200 | 30000 | 23400 | | | 42400 | 33600 | 40000 | 31200 | | | 53000 | 42000 | 50000 | 39000 | | | 60000 | 46800 | | |
| | | 810 | 498 | 810 | 513 | | | 1080 | 664 | 1080 | 684 | | | 1350 | 830 | 1350 | 855 | | | 1620 | 1026 | | |
| | | 2,4 | 1,2 | 2,4 | 1,2 | | | 3,2 | 1,6 | 3,2 | 1,6 | | | 4 | 2 | 4 | 2 | | | 4,8 | 2,4 | | |
| | | 36 | 30 | 36 | 30 | | | 36 | 30 | 36 | 30 | | | 37 | 31 | 37 | 31 | | | 38 | 32 | | |
| | | 3 000 | | 3 000 | | 3 000 | | 4 0000 | | 4 0000 | | 4 0000 | | 5 00000 | | 5 00000 | | 5 00000 | | 6 000000 | | 6 000000 | |
| | | △ | △ | △ | △ | △ | △ | △ | △ | △ | △ | △ | △ | △ | △ | △ | △ | △ | △ | △ | △ | △ | |
| | | 59,3 | | 83,7 | | 108,1 | | 75,3 | | 119,3 | | 151,8 | | 91,4 | | 143,5 | | 183,9 | | 167,6 | | 216,1 | |
| | | 6889 | | 6889 | | 6889 | | 9022 | | 9022 | | 9022 | | 11155 | | 11155 | | 11155 | | 13288 | | 13288 | |

| | | 2713A | | 3713A | | | | 2714A | | 3714A | | | | 2715N | | 3715N | | 2716N | | 3716N | | |
|--|--|--------------|-------|--------------|-------|-------|---|--------------|-------|--------------|-------|--------|---|--------------|--------|--------------|--------|--------------|--------|--------------|--------|----------|
| | | 248 | 218 | 272 | 231 | | | 341 | 300 | 374 | 317 | | | 436 | 383 | 478 | 405 | 534 | 468 | 583 | 489 | |
| | | 46,3 | 40,8 | 50,9 | 43,3 | | | 63,8 | 56,1 | 69,9 | 59,3 | | | 81,6 | 71,7 | 89,4 | 75,7 | 99,8 | 87,5 | 109 | 91,5 | |
| | | 27 | 21 | 27 | 20 | | | 58 | 45 | 56 | 41 | | | 75 | 59 | 57 | 42 | 126 | 100 | 95 | 69 | |
| | | 81600 | 66600 | 77100 | 61800 | | | 108800 | 88800 | 102800 | 82400 | | | 136000 | 111000 | 128500 | 103000 | 163200 | 133200 | 154200 | 123600 | |
| | | 7170 | 5460 | 7350 | 5460 | | | 9560 | 7280 | 9800 | 7280 | | | 11950 | 9100 | 12250 | 9100 | 14340 | 10920 | 14700 | 10920 | |
| | | 17,1 | 9,9 | 17,1 | 9,9 | | | 22,8 | 13,2 | 22,8 | 13,2 | | | 28,5 | 16,5 | 28,5 | 16,5 | 34,2 | 19,8 | 34,2 | 19,8 | |
| | | 58 | 53 | 58 | 53 | | | 58 | 53 | 58 | 53 | | | 59 | 54 | 59 | 54 | 60 | 55 | 60 | 55 | |
| | | 3 000 | | 3 000 | | 3 000 | | 4 0000 | | 4 0000 | | 4 0000 | | 5 00000 | | 5 00000 | | 5 00000 | | 6 000000 | | 6 000000 |
| | | △ | △ | △ | △ | △ | △ | △ | △ | △ | △ | △ | △ | △ | △ | △ | △ | △ | △ | △ | △ | △ |
| | | 59,3 | | 83,7 | | 108,1 | | 75,3 | | 119,3 | | 151,8 | | 91,4 | | 143,5 | | 183,9 | | 167,6 | | 216,1 |
| | | 6889 | | 6889 | | 6889 | | 9022 | | 9022 | | 9022 | | 11155 | | 11155 | | 11155 | | 13288 | | 13288 |

152 - 1285 kW



| Modello | Type | XAL9K (2.1 mm) | 2922B | 3922B | 2923A |
|--------------------------|----------------------|---------------------------------|-------|-------|--------|
| Potenza | Rating | □ kW (ΔT 15K) Glycol 34% | 303 | 326 | 457 |
| Fluido refrigerante | m³/h | Portata Flowrate | 56,6 | 61 | 85,5 |
| Motor power consumption | kPa | Perdita di carico Pressure drop | 48 | 44 | 23 |
| Portata d'aria | Air quantity | m³/h | 90800 | 86400 | 136200 |
| Assorbimento motori | W | 4P Ø 900 | 11160 | 11160 | 16740 |
| Motor power consumption | A | | 18,4 | 18,4 | 27,6 |
| Livello pressione sonora | Sound pressure level | dB (A) (Total) | 57 | 57 | 59 |

| Modello | Type | XAL9N (2.1 mm) | 5922B | 6922B | 5923A |
|--------------------------|----------------------|---------------------------------|-------|-------|--------|
| Potenza | Rating | □ kW (ΔT 15K) Glycol 34% | 266 | 278 | 402 |
| Fluido refrigerante | m³/h | Portata Flowrate | 49,8 | 52 | 75,2 |
| Motor power consumption | kPa | Perdita di carico Pressure drop | 38 | 32 | 18 |
| Portata d'aria | Air quantity | m³/h | 75200 | 70000 | 112800 |
| Assorbimento motori | W | 6P Ø 900 | 6240 | 6320 | 9360 |
| Motor power consumption | A | | 11,6 | 11,6 | 17,4 |
| Livello pressione sonora | Sound pressure level | dB (A) (Total) | 50 | 50 | 52 |

| Modello | Type | XAL9X (2.1 mm) | 7922B | 8922B | 9922F | 7923A | 8923E |
|--------------------------|----------------------|---------------------------------|-------|-------|-------|-------|-------|
| Potenza | Rating | □ kW (ΔT 15K) Glycol 34% | 175 | 190 | 185 | 258 | 291 |
| Fluido refrigerante | m³/h | Portata Flowrate | 32,7 | 35,5 | 34,6 | 48,2 | 54,4 |
| Motor power consumption | kPa | Perdita di carico Pressure drop | 45 | 20 | 29 | 22 | 43 |
| Portata d'aria | Air quantity | m³/h | 52000 | 48000 | 44400 | 78000 | 72000 |
| Assorbimento motori | W | 8P Ø 900 | 2080 | 2080 | 2120 | 3120 | 3120 |
| Motor power consumption | A | | 4,6 | 4,6 | 4,6 | 6,9 | 6,9 |
| Livello pressione sonora | Sound pressure level | dB (A) (Total) | 40 | 40 | 40 | 42 | 42 |

| Modello | Type | XAL9U (2.1 mm) | 1922B | 4922B | 1923A | 4923E |
|--------------------------|----------------------|---------------------------------|-------------|-------------|-------------|-------------|
| Potenza | Rating | □ kW (ΔT 15K) Glycol 34% | 152 127 | 157 128 | 226 187 | 240 194 |
| Fluido refrigerante | m³/h | Portata Flowrate | 28,5 23,8 | 29,4 23,9 | 42,2 34,9 | 44,8 36,3 |
| Motor power consumption | kPa | Perdita di carico Pressure drop | 34 24 | 14 9 | 17 12 | 30 21 |
| Portata d'aria | Air quantity | m³/h | 42400 33600 | 40000 31200 | 63600 50400 | 60000 46800 |
| Assorbimento motori | W | 12P Ø 900 | 1080 664 | 1080 684 | 1620 996 | 1620 1026 |
| Motor power consumption | A | | 3,2 1,6 | 3,2 1,6 | 4,8 2,4 | 4,8 2,4 |
| Livello pressione sonora | Sound pressure level | dB (A) (Total) | 36 30 | 36 30 | 38 32 | 38 32 |

DATI COMUNI / COMMON DATA

| | | | | | | |
|--------------------|-----------------------|------|-------|------|-------|-------|
| Elettroventilatori | Ø 900 mm x n° | 4 | 4 | 4 | 6 | 6 |
| Fans | Colleg. Connection | Δ | Λ | Δ | Λ | Δ |
| Volume circuito | Circuit vol. dm³ | 86,4 | 142,3 | 175 | 118,5 | 190,5 |
| Dimensioni | Dimensions A mm (H-V) | 4756 | 4756 | 4756 | 6889 | 6889 |

| Modello | Type | XAL10N (2.1 mm) | 2722B | 3722B | 2723A |
|--------------------------|----------------------|---------------------------------|-------|-------|--------|
| Potenza | Rating | □ kW (ΔT 15K) Glycol 34% | 298 | 316 | 450 |
| Fluido refrigerante | m³/h | Portata Flowrate | 55,7 | 59 | 84,2 |
| Motor power consumption | kPa | Perdita di carico Pressure drop | 46 | 41 | 23 |
| Portata d'aria | Air quantity | m³/h | 88800 | 82400 | 133200 |
| Assorbimento motori | W | 6P Ø 1000 | 7280 | 7280 | 10920 |
| Motor power consumption | A | | 13,2 | 13,2 | 19,8 |
| Livello pressione sonora | Sound pressure level | dB (A) (Total) | 53 | 53 | 55 |

DATI COMUNI / COMMON DATA

| | | | | | | |
|--------------------|-----------------------|------|-------|------|-------|-------|
| Elettroventilatori | Ø 1000 mm x n° | 4 | 4 | 4 | 6 | 6 |
| Fans | Colleg. Connection | Δ | Λ | Δ | Λ | Δ |
| Volume circuito | Circuit vol. dm³ | 86,4 | 142,3 | 175 | 118,5 | 190,5 |
| Dimensioni | Dimensions A mm (H-V) | 4756 | 4756 | 4756 | 6889 | 6889 |



- Potenza con tubi puliti Attacchi lati opposti AFN
- Rating with clean tubes Connections opposite sides AFN



(Optional)

| 3923A | | 2924A | | 3924A | | 2925N | | 3925N | | 2926N | | 3926N | | | | | |
|--------------|--------|---------------|-------|---------------|--------|---------------|-------|-----------------|-------|-----------------|---|-----------------|---|------------------|---|------------------|--|
| 494 | | 623 | | 671 | | 788 | | 848 | | 954 | | 1026 | | | | | |
| 92,2 | | 116,4 | | 125,4 | | 147,4 | | 158,6 | | 178,4 | | 191,7 | | | | | |
| 23 | | 49 | | 45 | | 68 | | 53 | | 111 | | 85 | | | | | |
| 129600 | | 181600 | | 172800 | | 227000 | | 216000 | | 272400 | | 259200 | | | | | |
| 16740 | | 22320 | | 22320 | | 27900 | | 27900 | | 33480 | | 33480 | | | | | |
| 27,6 | | 36,8 | | 36,8 | | 46 | | 46 | | 55,2 | | 55,2 | | | | | |
| 59 | | 60 | | 60 | | 61 | | 61 | | 62 | | 62 | | | | | |
| 6923A | | 5924A | | 6924A | | 5925N | | 6925N | | 5926N | | 6926N | | | | | |
| 410 | | 548 | | 556 | | 693 | | 702 | | 839 | | 849 | | | | | |
| 76,5 | | 102,4 | | 104 | | 129,6 | | 131,4 | | 156,9 | | 158,6 | | | | | |
| 16 | | 38 | | 32 | | 54 | | 37 | | 88 | | 60 | | | | | |
| 105000 | | 150400 | | 140000 | | 188000 | | 175000 | | 225600 | | 210000 | | | | | |
| 9480 | | 12480 | | 12640 | | 15600 | | 15800 | | 18720 | | 18960 | | | | | |
| 17,4 | | 23,2 | | 23,2 | | 29 | | 29 | | 34,8 | | 34,8 | | | | | |
| 52 | | 53 | | 53 | | 54 | | 54 | | 55 | | 55 | | | | | |
| 9923E | | 7924A | | 8924A | | 9924A | | 7925N | | 8925A | | 9925A | | 8926A | | 9926A | |
| 277 | 351 | 382 | | 365 | 447 | 483 | | 459 | | 588 | | 554 | | | | | |
| 51,7 | 65,5 | 71,3 | | 68,3 | 83,4 | 90,1 | | 85,8 | | 109,6 | | 103,6 | | | | | |
| 25 | 44 | 19 | | 14 | 50 | 34 | | 24 | | 56 | | 38 | | | | | |
| 66600 | 104000 | 96000 | | 88800 | 130000 | 120000 | | 111000 | | 144000 | | 133200 | | | | | |
| 3180 | 4160 | 4160 | | 4240 | 5200 | 5200 | | 5300 | | 6240 | | 6360 | | | | | |
| 6,9 | 9,2 | 9,2 | | 9,2 | 11,5 | 11,5 | | 11,5 | | 13,8 | | 13,8 | | | | | |
| 42 | 43 | 43 | | 43 | 44 | 44 | | 44 | | 45 | | 45 | | | | | |
| 1924A | | 4924A | | 1925N | | 4925A | | 4926A | | | | | | | | | |
| 313 | 254 | 315 | 255 | 396 | 322 | 397 | 322 | 479 | 388 | | | | | | | | |
| 58,5 | 47,4 | 58,8 | 47,8 | 74 | 60,3 | 74,2 | 60,2 | 89,6 | 72,6 | | | | | | | | |
| 35 | 24 | 13 | 9 | 41 | 28 | 24 | 16 | 38 | 26 | | | | | | | | |
| 84800 | 67200 | 80000 | 62400 | 106000 | 84000 | 100000 | 78000 | 120000 | 93600 | | | | | | | | |
| 2160 | 1328 | 2160 | 1368 | 2700 | 1660 | 2700 | 1710 | 3240 | 2052 | | | | | | | | |
| 6,4 | 3,2 | 6,4 | 3,2 | 8 | 4 | 8 | 4 | 9,6 | 4,8 | | | | | | | | |
| 39 | 33 | 39 | 33 | 40 | 34 | 40 | 34 | 41 | 35 | | | | | | | | |
| 6 000 | | 8 0000 | | 8 0000 | | 8 0000 | | 10 00000 | | 10 00000 | | 10 00000 | | 12 000000 | | 12 000000 | |
| △ | △ | △ | △ | △ | △ | △ | △ | △ | △ | △ | △ | △ | △ | △ | △ | △ | |
| 239,3 | 150,7 | 238,7 | 303,5 | 206 | 286,9 | 367,8 | 335,1 | 432,1 | | | | | | | | | |
| 6889 | 9022 | 9022 | 9022 | 11155 | 11155 | 11155 | 13288 | 13288 | | | | | | | | | |

| 3723A | | 2724A | | 3724A | | 2725N | | 3725N | | 2726N | | 3726N | | | | | |
|--------------|-------|---------------|-------|---------------|-------|---------------|-------|-----------------|---|-----------------|---|-----------------|---|------------------|---|------------------|--|
| 473 | | 614 | | 643 | | 777 | | 813 | | 941 | | 983 | | | | | |
| 88,5 | | 114,7 | | 120,2 | | 145,2 | | 151,9 | | 175,8 | | 183,7 | | | | | |
| 21 | | 47 | | 42 | | 66 | | 49 | | 108 | | 79 | | | | | |
| 123600 | | 177600 | | 164800 | | 222000 | | 206000 | | 266400 | | 247200 | | | | | |
| 10920 | | 14560 | | 14560 | | 18200 | | 18200 | | 21840 | | 21840 | | | | | |
| 19,8 | | 26,4 | | 26,4 | | 33 | | 33 | | 39,6 | | 39,6 | | | | | |
| 55 | | 56 | | 56 | | 57 | | 57 | | 58 | | 58 | | | | | |
| 6 000 | | 8 0000 | | 8 0000 | | 8 0000 | | 10 00000 | | 10 00000 | | 10 00000 | | 12 000000 | | 12 000000 | |
| △ | △ | △ | △ | △ | △ | △ | △ | △ | △ | △ | △ | △ | △ | △ | △ | △ | |
| 239,3 | 150,7 | 238,7 | 303,5 | 206 | 286,9 | 367,8 | 335,1 | 432,1 | | | | | | | | | |
| 6889 | 9022 | 9022 | 9022 | 11155 | 11155 | 11155 | 13288 | 13288 | | | | | | | | | |

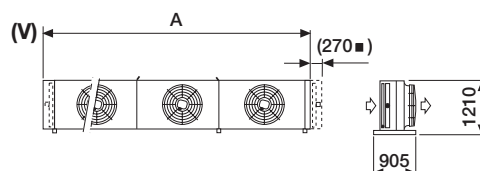
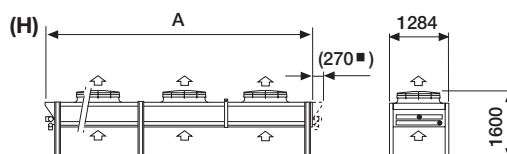
44 - 592 kW

New



| Modello | Model | EHL95F | 1118C | 1119C | 1128B | 1129E | 1138A |
|---------------------------|----------------------------|-------------------------------------|-------|-------|-------|-------|-------|
| Potenza | Capacity | □ kW (ΔT 15K) Glycol 34% | 85 | 93 | 172 | 188 | 252 |
| Fluido refrigerante | | m ³ /h Portata Flowrate | 16,5 | 18 | 33,7 | 36,8 | 49,4 |
| Refrigerant fluid | | kPa Perdita di carico Pressure drop | 77 | 62 | 65 | 44 | 35 |
| Portata d'aria | Air quantity | m ³ /h | 27700 | 26000 | 55400 | 52000 | 83100 |
| Assorbimento motori | | W | 2730 | 2840 | 5460 | 5680 | 8190 |
| Motor power consumption | 400V - 3ph - 50Hz | A | 4,6 | 4,6 | 9,2 | 9,2 | 13,8 |
| Livello pressione sonora | Sound pressure level | dB (A) (Total) | 55 | 55 | 57 | 57 | 59 |
| Attacchi | Connections | Ø" | 2 | 2 | 2 ½ | 4 | 4 |
| Modello | Model | EHL95N | 7115C | 8116C | 8125B | 8126E | 8135A |
| Potenza | Capacity | □ kW (ΔT 15K) Glycol 34% | 80 | 87 | 162 | 175 | 237 |
| Fluido refrigerante | | m ³ /h Portata Flowrate | 15,5 | 16,9 | 31,7 | 34,3 | 46,4 |
| Refrigerant fluid | | kPa Perdita di carico Pressure drop | 69 | 55 | 59 | 39 | 31 |
| Portata d'aria | Air quantity | m ³ /h | 25100 | 23500 | 50200 | 47000 | 75300 |
| Assorbimento motori | | W | 2110 | 2200 | 4220 | 4400 | 6330 |
| Motor power consumption | 400V - 3ph - 50Hz | A | 3,5 | 3,5 | 7 | 7 | 10,5 |
| Livello pressione sonora | Sound pressure level | dB (A) (Total) | 52 | 52 | 54 | 54 | 56 |
| Attacchi | Connections | Ø" | 2 | 2 | 2 ½ | 4 | 4 |
| DATI COMUNI / COMMON DATA | | | | | | | |
| Elettroventilatori | Fans | Ø 950 mm x n° | 1 ○ | 1 ○ | 2 ○○ | 2 ○○ | 3 ○○○ |
| Superficie esterna | External surface | m ² | 151,5 | 202,0 | 303,0 | 404,0 | 454,5 |
| Superficie interna | TURBOCOIL Internal surface | m ² | 8,4 | 11,2 | 16,8 | 22,5 | 25,3 |
| Volume circuito | Circuit volume | dm ³ | 25 | 32 | 54 | 74 | 80 |
| Peso | Weight | kg | 229,0 | 267,0 | 433,0 | 467,0 | 607,0 |
| Dimensioni | Dimensions | A mm (H-V) | 2623 | 2623 | 4756 | 4756 | 6889 |

| Modello | Model | EHL95X | 3116C | 3117C | 3118D | 3126E | 3127B | 3128B | 3136A | 3137B |
|---------------------------|----------------------------|-------------------------------------|-------|-------|-------|-------|-------|-------|-------|-------|
| Potenza | Capacity | □ kW (ΔT 15K) Glycol 34% | 51 | 56 | 59 | 102 | 113 | 116 | 151 | 174 |
| Fluido refrigerante | | m ³ /h Portata Flowrate | 9,9 | 10,9 | 11,4 | 19,8 | 21,9 | 22,5 | 29,6 | 34,1 |
| Refrigerant fluid | | kPa Perdita di carico Pressure drop | 64 | 36 | 66 | 49 | 31 | 21 | 27 | 91 |
| Portata d'aria | Air quantity | m ³ /h | 16500 | 15000 | 14800 | 33000 | 30000 | 29600 | 49500 | 45000 |
| Assorbimento motori | | W | 550 | 590 | 590 | 1100 | 1180 | 1180 | 1650 | 1770 |
| Motor power consumption | 400V - 3ph - 50Hz | A | 0,9 | 0,9 | 0,9 | 1,8 | 1,8 | 1,8 | 2,7 | 2,7 |
| Livello pressione sonora | Sound pressure level | dB (A) (Total) | 39 | 39 | 39 | 41 | 41 | 41 | 43 | 43 |
| Attacchi | Connections | Ø" | 1 ½ | 2 | 2 | 2 ½ | 2 ½ | 2 ½ | 2 ½ | 2 ½ |
| Modello | Model | EHL95U | 5116C | 5117D | 5126E | 5127F | 5136E | 5137B | | |
| Potenza | Capacity | □ kW (ΔT 15K) Glycol 34% | 44 | 47 | 87 | 95 | 134 | 142 | | |
| Fluido refrigerante | | m ³ /h Portata Flowrate | 8,5 | 9,1 | 16,9 | 18,4 | 26 | 27,5 | | |
| Refrigerant fluid | | kPa Perdita di carico Pressure drop | 48 | 70 | 37 | 61 | 111 | 63 | | |
| Portata d'aria | Air quantity | m ³ /h | 13000 | 11700 | 26000 | 23400 | 39000 | 35100 | | |
| Assorbimento motori | | W | 320 | 340 | 640 | 680 | 960 | 1020 | | |
| Motor power consumption | 230V - 1ph - 50Hz | A | 1,6 | 1,7 | 3,2 | 3,4 | 4,8 | 5,1 | | |
| Livello pressione sonora | Sound pressure level | dB (A) (Total) | 35 | 35 | 37 | 37 | 39 | 39 | | |
| Attacchi | Connections | Ø" | 1 ½ | 2 | 2 ½ | 2 ½ | 2 ½ | 2 ½ | | |
| DATI COMUNI / COMMON DATA | | | | | | | | | | |
| Elettroventilatori | Fans | Ø 950 mm x n° | 1 ○ | 1 ○ | 1 ○ | 2 ○○ | 2 ○○ | 2 ○○ | 3 ○○○ | 3 ○○○ |
| Superficie esterna | External surface | m ² | 101,0 | 151,5 | 174,9 | 202,0 | 303,0 | 349,8 | 303,0 | 454,5 |
| Superficie interna | TURBOCOIL Internal surface | m ² | 5,6 | 8,4 | 11,2 | 11,2 | 16,8 | 22,5 | 16,8 | 25,3 |
| Volume circuito | Circuit volume | dm ³ | 16 | 25 | 32 | 40 | 54 | 67 | 54 | 74 |
| Peso | Weight | kg | 229,0 | 250,0 | 267,0 | #N/A | 433,0 | 467,0 | 549,0 | 607,0 |
| Dimensioni | Dimensions | A mm (H-V) | 2623 | 2623 | 2623 | 4756 | 4756 | 4756 | 6889 | 6889 |





- Potenza con tubi puliti
- Capacity with clean tubes

Attacchi lati opposti: **A-F-N**
Connections opposite sides: **A-F-N**

| | 1139A | | 1148A | 1149A | | 1158N | 1159N | | 1168N | 1169N |
|--|--------------|--|--------------|--------------|--|--------------|--------------|--|--------------|--------------|
| | 276 | | 347 | 379 | | 444 | 484 | | 543 | 592 |
| | 54,1 | | 68,6 | 75 | | 88,7 | 96,7 | | 109,5 | 119,4 |
| | 32 | | 75 | 67 | | 108 | 79 | | 179 | 131 |
| | 78000 | | 110800 | 104000 | | 138500 | 130000 | | 166200 | 156000 |
| | 8520 | | 10920 | 11360 | | 13650 | 14200 | | 16380 | 17040 |
| | 13,8 | | 18,4 | 18,4 | | 23 | 23 | | 27,6 | 27,6 |
| | 59 | | 59 | 59 | | 60 | 60 | | 61 | 61 |
| | 4 | | 4 | 4 | | 2x4 | 2x4 | | 2x4 | 2x4 |
| | 8136A | | 8145A | 8146A | | 8155N | 8156N | | 8165N | 8166N |
| | 257 | | 327 | 353 | | 418 | 451 | | 512 | 551 |
| | 50,3 | | 64,7 | 69,8 | | 83,5 | 90,1 | | 103,2 | 111,1 |
| | 28 | | 67 | 58 | | 97 | 69 | | 161 | 115 |
| | 70500 | | 100400 | 94000 | | 125500 | 117500 | | 150600 | 141000 |
| | 6600 | | 8440 | 8800 | | 10550 | 11000 | | 12660 | 13200 |
| | 10,5 | | 14 | 14 | | 17,5 | 17,5 | | 21 | 21 |
| | 56 | | 56 | 56 | | 57 | 57 | | 58 | 58 |
| | 4 | | 4 | 4 | | 2x4 | 2x4 | | 2x4 | 2x4 |
| | 3 000 | | 4 0000 | 4 0000 | | 5 00000 | 5 00000 | | 6 000000 | 6 000000 |
| | 606,0 | | 606,0 | 808,0 | | 757,5 | 1010,0 | | 909,0 | 1212,0 |
| | 33,7 | | 33,7 | 44,9 | | 42,1 | 56,1 | | 50,5 | 67,4 |
| | 100 | | 100 | 127 | | 120 | 154 | | 140 | 180 |
| | 658,0 | | 804,0 | 873,0 | | 987,0 | 1074,0 | | 1173,0 | 1276,0 |
| | 6889 | | 9022 | 9022 | | 11155 | 11155 | | 13288 | 13288 |

| | 3138B | 3146A | 3147A | 3148A | 3156N | 3157A | 3158A | | 3167A | 3168A |
|--|--------------|--------------|--------------|--------------|--------------|--------------|--------------|--------------|--------------|--------------|
| | 178 | 206 | 228 | 233 | 263 | 291 | 297 | | 355 | 363 |
| | 34,9 | 40,4 | 44,7 | 45,6 | 52 | 57,6 | 58,8 | | 70,9 | 72,5 |
| | 61 | 58 | 35 | 27 | 87 | 63 | 48 | | 102 | 76 |
| | 44400 | 66000 | 60000 | 59200 | 82500 | 75000 | 74000 | | 90000 | 88800 |
| | 1770 | 2200 | 2360 | 2360 | 2750 | 2950 | 2950 | | 3540 | 3540 |
| | 2,7 | 3,6 | 3,6 | 3,6 | 4,5 | 4,5 | 4,5 | | 5,4 | 5,4 |
| | 43 | 43 | 43 | 43 | 44 | 44 | 44 | | 45 | 45 |
| | 2 ½ | 2 ½ | 4 | 4 | 2x2 ½ | 4 | 4 | | 4 | 4 |
| | | 5146A | 5147B | | 5156A | 5157A | | 5166A | 5167A | |
| | | 177 | 193 | | 226 | 240 | | 274 | 290 | |
| | | 34,7 | 37,8 | | 44,7 | 47,5 | | 54,2 | 57,4 | |
| | | 44 | 138 | | 80 | 44 | | 129 | 71 | |
| | | 52000 | 46800 | | 65000 | 58500 | | 78000 | 70200 | |
| | | 1280 | 1360 | | 1600 | 1700 | | 1920 | 2040 | |
| | | 6,4 | 6,8 | | 8,0 | 8,5 | | 9,6 | 10,2 | |
| | | 39 | 39 | | 40 | 40 | | 41 | 41 | |
| | | 2 ½ | 2 ½ | | 2 ½ | 4 | | 2 ½ | 4 | |
| | 3 000 | 4 0000 | 4 0000 | 4 0000 | 5 00000 | 5 00000 | 5 00000 | 6 000000 | 6 000000 | 6 000000 |
| | 524,7 | 404,0 | 606,0 | 699,6 | 505,0 | 757,5 | 874,5 | 606,0 | 909,0 | 1049,4 |
| | 33,7 | 22,5 | 33,7 | 44,9 | 28,1 | 42,1 | 56,1 | 33,7 | 50,5 | 67,4 |
| | 94 | 67 | 100 | 127 | 80 | 120 | 154 | 94 | 140 | 180 |
| | 658,0 | 727,0 | 804,0 | 873,0 | 893,0 | 987,0 | 1074,0 | 1057,0 | 1173,0 | 1276,0 |
| | 6889 | 9022 | 9022 | 9022 | 11155 | 11155 | 11155 | 13288 | 13288 | 13288 |

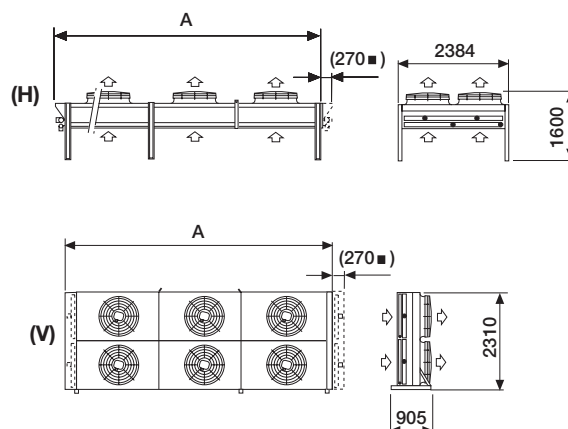
178 - 1210 kW

New



| Modello | Model | EHL95F | 2223B | 2224B | 2233A | 2234A | 2243A |
|---------------------------|----------------------------|---|--------|--------|--------|--------|--------|
| Potenza | Capacity | <input type="checkbox"/> kW (ΔT 15K) Glycol 34% | 349 | 380 | 521 | 569 | 717 |
| Fluido refrigerante | | m ³ /h Portata Flowrate | 69 | 75,2 | 105 | 114,7 | 145,9 |
| Refrigerant fluid | | kPa Perdita di carico Pressure drop | 79 | 69 | 36 | 33 | 78 |
| Portata d'aria | Air quantity | m ³ /h | 110800 | 104000 | 166200 | 156000 | 221600 |
| Assorbimento motori | | W | 10920 | 11360 | 16380 | 17040 | 21840 |
| Motor power consumption | 400V - 3ph - 50Hz | A | 18,4 | 18,4 | 27,6 | 27,6 | 36,8 |
| Livello pressione sonora | Sound pressure level | dB (A) (Total) | 59 | 59 | 61 | 61 | 62 |
| Attacchi | Connections | Ø" | 4 | 4 | 2x4 | 2x4 | 2x4 |
| Modello | Model | EHL95N | 9221B | 9222B | 9231A | 9232A | 9241A |
| Potenza | Capacity | <input type="checkbox"/> kW (ΔT 15K) Glycol 34% | 329 | 355 | 491 | 531 | 676 |
| Fluido refrigerante | | m ³ /h Portata Flowrate | 65,1 | 70,2 | 99 | 107,1 | 137,6 |
| Refrigerant fluid | | kPa Perdita di carico Pressure drop | 71 | 61 | 33 | 29 | 70 |
| Portata d'aria | Air quantity | m ³ /h | 100400 | 94000 | 150600 | 141000 | 200800 |
| Assorbimento motori | | W | 8440 | 8800 | 12660 | 13200 | 16880 |
| Motor power consumption | 400V - 3ph - 50Hz | A | 14 | 14 | 21 | 21 | 28 |
| Livello pressione sonora | Sound pressure level | dB (A) (Total) | 56 | 56 | 58 | 58 | 59 |
| Attacchi | Connections | Ø" | 4 | 4 | 2x4 | 2x4 | 2x4 |
| DATI COMUNI / COMMON DATA | | | | | | | |
| Elettroventilatori | Fans | Ø 950 mm x n° | 4 00 | 4 00 | 6 000 | 6 000 | 8 0000 |
| Superficie esterna | TURBOCOIL External surface | m ² | 606,0 | 808,0 | 909,0 | 1212,0 | 1212,0 |
| Superficie interna | Internal surface | m ² | 33,7 | 44,9 | 50,5 | 67,4 | 67,4 |
| Volume circuito | Circuit volume | dm ³ | 121 | 147 | 161 | 201 | 201 |
| Peso | Weight | kg | 759,0 | 834,0 | 1099,0 | 1211,0 | 1426,0 |
| Dimensioni | Dimensions | A mm (H-V) | 4756 | 4756 | 6889 | 6889 | 9022 |

| Modello | Model | EHL95X | 5226E | 5227B | 5228F | 5236A | 5237E | 5238E | 5246A | 5247A |
|---------------------------|----------------------------|---|---------|-------|---------|---------|---------|--------|---------|--------|
| Potenza | Capacity | <input type="checkbox"/> kW (ΔT 15K) Glycol 34% | 207 | 229 | 238 | 309 | 357 | 365 | 426 | 471 |
| Fluido refrigerante | | m ³ /h Portata Flowrate | 40,6 | 44,9 | 46,6 | 61,7 | 71,3 | 72,9 | 85,9 | 95 |
| Refrigerant fluid | | kPa Perdita di carico Pressure drop | 50 | 36 | 63 | 28 | 88 | 57 | 61 | 36 |
| Portata d'aria | Air quantity | m ³ /h | 66000 | 60000 | 59200 | 99000 | 90000 | 88800 | 132000 | 120000 |
| Assorbimento motori | | W | 2200 | 2360 | 2360 | 3300 | 3540 | 3540 | 4400 | 4720 |
| Motor power consumption | 400V - 3ph - 50Hz | A | 3,6 | 3,6 | 3,6 | 5,4 | 5,4 | 5,4 | 7,2 | 7,2 |
| Livello pressione sonora | Sound pressure level | dB (A) (Total) | 43 | 43 | 43 | 45 | 45 | 45 | 46 | 46 |
| Attacchi | Connections | Ø" | 2x2 1/2 | 4 | 4 | 2x2 1/2 | 2x4 | 2x4 | 2x2 1/2 | 2x4 |
| Modello | Model | EHL95U | 8226E | 8227F | 8236E | 8237B | 8246A | 8247B | | |
| Potenza | Capacity | <input type="checkbox"/> kW (ΔT 15K) Glycol 34% | 178 | 193 | 275 | 292 | 362 | 396 | | |
| Fluido refrigerante | | m ³ /h Portata Flowrate | 34,9 | 37,8 | 54,4 | 57,8 | 72,3 | 79,1 | | |
| Refrigerant fluid | | kPa Perdita di carico Pressure drop | 38 | 66 | 114 | 74 | 45 | 157 | | |
| Portata d'aria | Air quantity | m ³ /h | 52000 | 46800 | 78000 | 70200 | 104000 | 93600 | | |
| Assorbimento motori | | W | 1280 | 1360 | 1920 | 2040 | 2560 | 2720 | | |
| Motor power consumption | 230V - 1ph - 50Hz | A | 6,4 | 6,8 | 9,6 | 10,2 | 12,8 | 13,6 | | |
| Livello pressione sonora | Sound pressure level | dB (A) (Total) | 39 | 39 | 41 | 41 | 42 | 42 | | |
| Attacchi | Connections | Ø" | 2x2 1/2 | 4 | 2x2 1/2 | 4 | 2x2 1/2 | 4 | | |
| DATI COMUNI / COMMON DATA | | | | | | | | | | |
| Elettroventilatori | Fans | Ø 950 mm x n° | 4 00 | 4 00 | 4 00 | 6 000 | 6 000 | 6 000 | 8 0000 | 8 0000 |
| Superficie esterna | TURBOCOIL External surface | m ² | 404,0 | 606,0 | 699,6 | 606,0 | 909,0 | 1049,4 | 808,0 | 1212,0 |
| Superficie interna | Internal surface | m ² | 22,5 | 33,7 | 44,9 | 33,7 | 50,5 | 67,4 | 44,9 | 67,4 |
| Volume circuito | Circuit volume | dm ³ | 81 | 121 | 147 | 108 | 161 | 201 | 134 | 201 |
| Peso | Weight | kg | 677,0 | 759,0 | 834,0 | 966,0 | 1099,0 | 1211,0 | 1260,0 | 1426,0 |
| Dimensioni | Dimensions | A mm (H-V) | 4756 | 4756 | 4756 | 6889 | 6889 | 6889 | 9022 | 9022 |





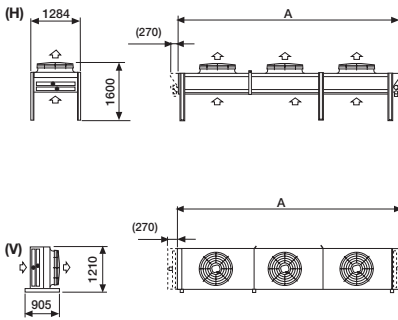
- Potenza con tubi puliti
- Capacity with clean tubes

Attacchi lati opposti: **A-F-N**
 Connections opposite sides: **A-F-N**

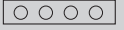
| | 2244A | | 2253N | 2254N | | 2263N | 2264N |
|--|--------------|--|--------------|--------------|--|--------------|--------------|
| | 783 | | 918 | 1000 | | 1112 | 1210 |
| | 159,4 | | 188,6 | 205,4 | | 228,4 | 248,6 |
| | 69 | | 118 | 91 | | 194 | 147 |
| | 208000 | | 277000 | 260000 | | 332400 | 312000 |
| | 22720 | | 27300 | 28400 | | 32760 | 34080 |
| | 36,8 | | 46 | 46 | | 55,2 | 55,2 |
| | 62 | | 63 | 63 | | 64 | 64 |
| | 2x4 | | 3x4 | 3x4 | | 3x4 | 3x4 |
| | 9242A | | 9251N | 9252N | | 9261N | 9262N |
| | 730 | | 865 | 932 | | 1048 | 1127 |
| | 148,6 | | 177,7 | 191,5 | | 215,3 | 231,5 |
| | 60 | | 106 | 80 | | 174 | 129 |
| | 188000 | | 251000 | 235000 | | 301200 | 282000 |
| | 17600 | | 21100 | 22000 | | 25320 | 26400 |
| | 28 | | 35 | 35 | | 42 | 42 |
| | 59 | | 60 | 60 | | 61 | 61 |
| | 2x4 | | 3x4 | 3x4 | | 3x4 | 3x4 |
| | 8 | | 10 | 10 | | 12 | 12 |
| | 1616,0 | | 1515,0 | 2020,0 | | 1818,0 | 2424,0 |
| | 89,9 | | 84,2 | 112,3 | | 101,1 | 134,8 |
| | 254 | | 241 | 308 | | 281 | 361 |
| | 1572,0 | | 1768,0 | 1955,0 | | 2121,0 | 2345,0 |
| | 9022 | | 11155 | 11155 | | 13288 | 13288 |

| | 5248A | 5256N | 5257A | 5258A | | 5267A | 5268A |
|--|--------------|--------------|--------------|--------------|--------------|--------------|--------------|
| | 482 | 544 | 602 | 615 | | 735 | 750 |
| | 97,2 | 110,7 | 122,5 | 125,2 | | 151 | 154,1 |
| | 28 | 96 | 65 | 49 | | 106 | 79 |
| | 118400 | 165000 | 150000 | 148000 | | 180000 | 177600 |
| | 4720 | 5500 | 5900 | 5900 | | 7080 | 7080 |
| | 7,2 | 9 | 9 | 9 | | 10,8 | 10,8 |
| | 46 | 47 | 47 | 47 | | 48 | 48 |
| | 2x4 | 2x4 | 2x4 | 2x4 | | 2x4 | 2x4 |
| | | 8256A | 8257A | | 8266N | 8267A | |
| | | 463 | 492 | | 566 | 594 | |
| | | 93,3 | 99,2 | | 115,2 | 119,8 | |
| | | 82 | 45 | | 120 | 73 | |
| | | 130000 | 117000 | | 156000 | 140400 | |
| | | 3200 | 3400 | | 3840 | 4080 | |
| | | 16,0 | 17,0 | | 19,2 | 20,4 | |
| | | 43 | 43 | | 44 | 44 | |
| | | 2x2½ | 2x4 | | 2x4 | 2x4 | |
| | 8 | 10 | 10 | 10 | 12 | 12 | 12 |
| | 1399,2 | 1010,0 | 1515,0 | 1749,0 | 1212,0 | 1818,0 | 2098,8 |
| | 89,9 | 56,2 | 84,2 | 112,3 | 67,4 | 101,1 | 134,8 |
| | 254 | 174 | 241 | 308 | 201 | 281 | 361 |
| | 1572,0 | 1565,0 | 1768,0 | 1955,0 | 1887,0 | 2121,0 | 2345,0 |
| | 9022 | 11155 | 11155 | 11155 | 13288 | 13288 | 13288 |

35 - 498 kW



| Modello | Type | EHL90F (2.1 mm) | — | 340C | 342C | — | 344B |
|--|------------------------------------|--|-------------|-------------|-------------|-------------|-------------|
| Potenza | Rating | □ kW (ΔT 15K) Glycol 34% | — | 74 62 | 84 65 | — | 154 125 |
| Fluido refrigerante Refrigerant fluid | m ³ /h Portata Flowrate | — | 14,4 11,6 | 15,7 12,1 | — | 28,7 23,3 | |
| | | kPa Perdita di carico Pressure drop | — | 60 41 | 49 30 | — | 58 39 |
| Portata d'aria | Air quantity | m ³ /h | — | 26500 19000 | 24500 17100 | — | 53000 38000 |
| Assorbimento motori Motor power consumption | 6P 0900 | W | — | 3250 2000 | 3250 2000 | — | 6500 4000 |
| | | A | — | 6,0 3,5 | 6,0 3,5 | — | 12,0 7,0 |
| Livello pressione sonora | Sound pressure level | dB (A) (Total) | — | 58 51 | 58 51 | — | 60 53 |
| Modello | Type | EAL9N (2.1 mm) | — | 6111C | 6112C | — | 6121B |
| Potenza | Rating | □ kW (ΔT 15K) Glycol 34% | — | 70 59 | 76 61 | — | 140 117 |
| Fluido refrigerante Refrigerant fluid | m ³ /h Portata Flowrate | — | 13,1 10,9 | 14,3 11,4 | — | 26,3 21,9 | |
| | | kPa Perdita di carico Pressure drop | — | 50 36 | 40 26 | — | 47 34 |
| Portata d'aria | Air quantity | m ³ /h | — | 23500 17600 | 22000 16000 | — | 47000 35200 |
| Assorbimento motori Motor power consumption | 6P 0900 | W | — | 2400 1590 | 2400 1590 | — | 4800 3180 |
| | | A | — | 5,2 3 | 5,2 3 | — | 10,4 6 |
| Livello pressione sonora | Sound pressure level | dB (A) (Total) | — | 54 47 | 54 47 | — | 56 49 |
| Modello | Type | EAL8S (2.1 mm) | — | 7111C | 7112C | — | 7121B |
| Potenza | Rating | □ kW (ΔT 15K) Glycol 34% | — | 61 52 | 66 54 | — | 122 103 |
| Fluido refrigerante Refrigerant fluid | m ³ /h Portata Flowrate | — | 11,4 9,6 | 12,4 10,0 | — | 22,7 19,3 | |
| | | kPa Perdita di carico Pressure drop | — | 39 28 | 31 21 | — | 37 27 |
| Portata d'aria | Air quantity | m ³ /h | — | 19300 14500 | 18200 13800 | — | 38600 29000 |
| Assorbimento motori Motor power consumption | 6P 0800 | W | — | 1700 1150 | 1700 1150 | — | 3400 2300 |
| | | A | — | 3,7 2,1 | 3,7 2,1 | — | 7,4 4,2 |
| Livello pressione sonora | Sound pressure level | dB (A) (Total) | — | 48 41 | 48 41 | — | 50 43 |
| Modello | Type | EAL9X (2.1 mm) | 1110C | 1111C | 1112D | 1120E | 1121B |
| Potenza | Rating | □ kW (ΔT 15K) Glycol 34% | 46 39 | 53 42 | 55 41 | 93 78 | 106 85 |
| Fluido refrigerante Refrigerant fluid | m ³ /h Portata Flowrate | — | 8,5 7,3 | 9,9 7,8 | 10,3 7,6 | 17,4 14,6 | 19,8 15,9 |
| | | kPa Perdita di carico Pressure drop | 50 37 | 30 20 | 56 33 | 41 30 | 29 19 |
| Portata d'aria | Air quantity | m ³ /h | 16400 12300 | 15200 11100 | 14100 10100 | 32800 24600 | 30400 22200 |
| Assorbimento motori Motor power consumption | 8P 0900 | W | 860 530 | 860 530 | 860 530 | 1720 1060 | 1720 1060 |
| | | A | 2,2 1,15 | 2,2 1,15 | 2,2 1,15 | 4,4 2,3 | 4,4 2,3 |
| Livello pressione sonora | Sound pressure level | dB (A) (Total) | 43 36 | 43 36 | 43 36 | 45 38 | 45 38 |
| Modello | Type | EAL8T (2.1 mm) | 8110C | 8111C | 8112D | 8120B | 8121B |
| Potenza | Rating | □ kW (ΔT 15K) Glycol 34% | 43 37 | 49 41 | 53 42 | 86 75 | 100 82 |
| Fluido refrigerante Refrigerant fluid | m ³ /h Portata Flowrate | — | 8,1 7,0 | 9,2 7,6 | 9,9 7,7 | 16,1 13,9 | 18,6 15,2 |
| | | kPa Perdita di carico Pressure drop | 44 33 | 26 18 | 51 33 | 35 27 | 25 17 |
| Portata d'aria | Air quantity | m ³ /h | 15200 11900 | 14200 10900 | 13000 9800 | 30400 23800 | 28400 21800 |
| Assorbimento motori Motor power consumption | 8P 0800 | W | 820 520 | 820 520 | 820 520 | 1640 1040 | 1640 1040 |
| | | A | 2,3 1,1 | 2,3 1,1 | 2,3 1,1 | 4,6 2,2 | 4,6 2,2 |
| Livello pressione sonora | Sound pressure level | dB (A) (Total) | 41 36 | 41 36 | 41 36 | 43 38 | 43 38 |
| Modello | Type | EAL9U (2.1 mm) | 5110C | 5111D | — | 5120B | 5121F |
| Potenza | Rating | □ kW (ΔT 15K) Glycol 34% | 34 29 | 37 30 | — | 69 59 | 75 60 |
| Fluido refrigerante Refrigerant fluid | m ³ /h Portata Flowrate | — | 6,4 5,4 | 7 5,6 | — | 12,9 11 | 14,1 11,2 |
| | | kPa Perdita di carico Pressure drop | 29 21 | 42 29 | — | 23 17 | 39 26 |
| Portata d'aria | Air quantity | m ³ /h | 10200 8000 | 9400 7200 | — | 20400 16000 | 18800 14400 |
| Assorbimento motori Motor power consumption | 12P 0900 | W | 275 175 | 275 175 | — | 550 350 | 550 350 |
| | | A | 0,8 0,4 | 0,8 0,4 | — | 1,6 0,8 | 1,6 0,8 |
| Livello pressione sonora | Sound pressure level | dB (A) (Total) | 32 26 | 32 26 | — | 34 28 | 34 28 |
| Dati comuni / Common data | | | | | | | |
| Elettroventilatori Fans | | Ø 800 / Ø 900 mm x n° Collegamento Connection | 1 o △ | 1 o △ | 1 o △ | 2 o o △ | 2 o o △ |
| Volume circuito | Circuit volume | dm ³ | 16 | 25 | 32 | 36 | 49 |
| Dimensioni | Dimensions | A mm (H - V) | 2623 | 2623 | 2623 | 4756 | 4756 |



- Potenza con tubi puliti
- Rating with clean tubes

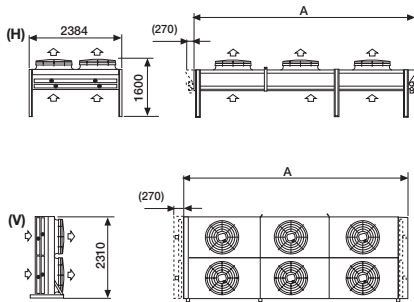
Attacchi lati opposti AFN
Connections opposite sides AFN



(Optional)

| | 346E | — | 348A | 350A | — | 352A | 354A | — | 356N | 358N | — | 360N | 362N |
|--|-------------|-------------|-------------|-------------|-------------|--------------|-------------|-------------|--------------|--------------|-------------|---------------|---------------|
| | 169 131 | — | 227 185 | 250 193 | — | 315 265 | 345 265 | — | 399 325 | 436 340 | — | 485 398 | 529 413 |
| | 31,6 24,5 | — | 42,4 34,6 | 46,7 36,1 | — | 58,7 47,5 | 64,4 49,5 | — | 74,4 60,6 | 81,3 63,4 | — | 90,5 74,1 | 98,7 77 |
| | 35 22 | — | 28 19 | 26 16 | — | 60 41 | 54 33 | — | 86 59 | 64 40 | — | 143 100 | 105 67 |
| | 49000 34200 | — | 79500 57000 | 73500 51300 | — | 106000 76000 | 98000 68400 | — | 132500 95000 | 122500 85500 | — | 159000 114000 | 147000 102600 |
| | 6500 4000 | — | 9750 6000 | 9750 6000 | — | 13000 8000 | 13000 8000 | — | 16250 10000 | 16250 10000 | — | 19500 12000 | 19500 12000 |
| | 12,0 7,0 | — | 18,0 10,5 | 18,0 10,5 | — | 24,0 14,0 | 24,0 14,0 | — | 30,0 17,5 | 30,0 17,5 | — | 36,0 21,0 | 36,0 21,0 |
| | 60 53 | — | 62 55 | 62 55 | — | 62 55 | 62 55 | — | 63 56 | 63 56 | — | 64 57 | 64 57 |
| | 6122E | — | 6131A | 6132A | — | 6141A | 6142A | — | 6151N | 6152N | — | 6161N | 6162N |
| | 153 122 | — | 206 172 | 224 179 | — | 281 234 | 305 244 | — | 359 299 | 390 311 | — | 435 362 | 472 376 |
| | 28,5 22,8 | — | 38,4 32,1 | 41,9 33,6 | — | 52,4 43,8 | 57,1 45,5 | — | 67,2 56,0 | 72,9 58,1 | — | 81,3 67,8 | 88,3 70,3 |
| | 28 19 | — | 22 16 | 20 13 | — | 47 34 | 42 27 | — | 69 49 | 50 33 | — | 114 82 | 82 54 |
| | 44000 32000 | — | 70500 52800 | 66000 48000 | — | 94000 70400 | 88000 64000 | — | 117500 88000 | 110000 80000 | — | 141000 105000 | 132000 96000 |
| | 4800 3180 | — | 7200 4770 | 7200 4770 | — | 9600 6360 | 9600 6360 | — | 12000 7950 | 12000 7950 | — | 14400 9540 | 14400 9540 |
| | 10,4 6 | — | 15,6 9 | 15,6 9 | — | 20,8 12 | 20,8 12 | — | 26 15 | 26 15 | — | 31,2 18 | 31,2 18 |
| | 56 49 | — | 58 51 | 58 51 | — | 58 51 | 58 51 | — | 59 52 | 59 52 | — | 60 53 | 60 53 |
| | 7122E | — | 7131A | 7132E | — | 7141A | 7142A | — | 7151N | 7152N | — | 7161N | 7162N |
| | 131 107 | — | 178 151 | 201 164 | — | 243 206 | 263 215 | — | 308 263 | 332 274 | — | 373 318 | 402 331 |
| | 24,6 20,1 | — | 33,4 28,2 | 37,6 30,6 | — | 45,5 38,5 | 49,3 40,2 | — | 57,6 49,2 | 62,2 51,2 | — | 69,8 59,5 | 75,1 61,8 |
| | 22 15 | — | 17 13 | 16 11 | — | 37 27 | 32 21 | — | 53 39 | 38 26 | — | 88 65 | 62 43 |
| | 36400 27600 | — | 57900 43500 | 54600 41400 | — | 77200 58000 | 72800 55200 | — | 96500 72500 | 91000 69000 | — | 115800 87000 | 109200 82800 |
| | 3400 2300 | — | 5100 3450 | 5100 3450 | — | 6800 4600 | 6800 4600 | — | 8500 5750 | 8500 5750 | — | 10200 6900 | 10200 6900 |
| | 7,4 4,2 | — | 11,1 6,3 | 11,1 6,3 | — | 14,8 8,4 | 14,8 8,4 | — | 18,5 10,5 | 18,5 10,5 | — | 22,2 12,6 | 22,2 12,6 |
| | 50 43 | — | 52 45 | 52 45 | — | 52 45 | 52 45 | — | 53 46 | 53 46 | — | 54 47 | 54 47 |
| | 1122B | 1130A | 1131B | 1132B | 1140A | 1141A | 1142A | 1150N | 1151A | 1152A | — | 1161A | 1162A |
| | 108 82 | 136 117 | 163 130 | 165 123 | 188 159 | 216 172 | 220 165 | 242 203 | 278 220 | 282 210 | — | 335 270 | 340 255 |
| | 20,2 15,3 | 25,4 21,8 | 30,4 24,2 | 30,9 23 | 35,1 29,6 | 40,3 32,1 | 41,1 30,9 | 45,1 37,9 | 51,8 41 | 52,6 39,2 | — | 62,5 50,3 | 63,5 47,6 |
| | 21 13 | 27 21 | 84 56 | 60 34 | 58 43 | 30 20 | 23 13 | 76 55 | 55 36 | 41 24 | — | 89 50 | 65 28 |
| | 28200 20200 | 49200 36900 | 45600 33300 | 42300 30300 | 65600 49200 | 60800 44400 | 56400 40400 | 82000 61500 | 76000 55500 | 70500 50500 | — | 91200 66800 | 84600 60600 |
| | 1720 1060 | 2580 1590 | 2580 1590 | 2580 1590 | 3440 2120 | 3440 2120 | 3440 2120 | 4300 2650 | 4300 2650 | 4300 2650 | — | 5160 3180 | 5160 3180 |
| | 4,4 2,3 | 6,6 3,45 | 6,6 3,45 | 6,6 3,45 | 8,8 4,6 | 8,8 4,6 | 8,8 4,6 | 11 5,75 | 11 5,75 | 11 5,75 | — | 13,2 6,9 | 13,2 6,9 |
| | 45 38 | 47 40 | 47 40 | 47 40 | 47 40 | 47 40 | 47 40 | 48 41 | 48 41 | 48 41 | — | 49 42 | 49 42 |
| | 8122B | 8130A | 8131B | 8132B | 8140A | 8141A | 8142A | 8150N | 8151A | 8152A | — | 8161A | 8162A |
| | 104 82 | 127 109 | 152 125 | 159 125 | 173 149 | 199 163 | 208 164 | 222 191 | 254 208 | 265 208 | — | 308 252 | 320 251 |
| | 19,5 15,3 | 23,7 20,4 | 28,5 23,3 | 29,7 23,3 | 32,4 27,9 | 37,2 30,5 | 38,9 30,6 | 41,5 35,7 | 47,5 38,9 | 49,6 39,0 | — | 57,5 47,1 | 59,9 47,0 |
| | 19 12 | 23 18 | 73 50 | 54 34 | 49 37 | 25 17 | 20 13 | 63 48 | 45 31 | 36 23 | — | 73 42 | 56 26 |
| | 26000 19600 | 45600 35700 | 42600 32700 | 39000 29400 | 60800 47600 | 56800 43600 | 52000 39200 | 76000 59500 | 71000 54500 | 65000 49000 | — | 85200 65400 | 78000 58800 |
| | 1640 1040 | 2460 1560 | 2460 1560 | 2460 1560 | 3280 2080 | 3280 2080 | 3280 2080 | 4100 2600 | 4100 2600 | 4100 2600 | — | 4920 3120 | 4920 3120 |
| | 4,6 2,2 | 6,9 3,3 | 6,9 3,3 | 6,9 3,3 | 9,2 4,4 | 9,2 4,4 | 9,2 4,4 | 11,5 5,5 | 11,5 5,5 | 11,5 5,5 | — | 13,8 6,6 | 13,8 6,6 |
| | 43 38 | 45 40 | 45 40 | 45 40 | 45 40 | 45 40 | 45 40 | 46 41 | 46 41 | 46 41 | — | 47 42 | 47 42 |
| | — | 5130E | 5131B | — | 5140A | 5141B | — | 5150A | 5151A | — | 5160A | 5161A | — |
| | — | 106 89 | 113 90 | — | 138 117 | 152 121 | — | 176 149 | 189 150 | — | 214 180 | 229 180 | — |
| | — | 19,8 16,7 | 21,2 16,8 | — | 25,8 21,8 | 28,4 22,6 | — | 33 27,9 | 35,4 27,9 | — | 39,9 33,7 | 42,7 33,8 | — |
| | — | 70 51 | 42 28 | — | 32 23 | 90 60 | — | 57 41 | 26 17 | — | 90 50 | 42 28 | — |
| | — | 30600 24000 | 28200 21600 | — | 40800 32000 | 37600 28800 | — | 51000 40000 | 47000 36000 | — | 61200 48000 | 56400 43200 | — |
| | — | 825 525 | 825 525 | — | 1100 700 | 1100 700 | — | 1375 875 | 1375 875 | — | 1650 1050 | 1650 1050 | — |
| | — | 2,4 1,2 | 2,4 1,2 | — | 3,2 1,6 | 3,2 1,6 | — | 4 2 | 4 2 | — | 4,8 2,4 | 4,8 2,4 | — |
| | — | 36 30 | 36 30 | — | 36 30 | 36 30 | — | 37 31 | 37 31 | — | 38 32 | 38 32 | — |
| | 2 00 | 3 000 | 3 000 | 3 000 | 4 0000 | 4 0000 | 4 0000 | 5 00000 | 5 00000 | 5 00000 | 6 000000 | 6 000000 | 6 000000 |
| | △ △ | △ △ | △ △ | △ △ | △ △ | △ △ | △ △ | △ △ | △ △ | △ △ | △ △ | △ △ | △ △ |
| | 63 | 49 | 70 | 90 | 63 | 99 | 126 | 76 | 119 | 153 | 89 | 139 | 179 |
| | 4756 | 6889 | 6889 | 6889 | 9022 | 9022 | 9022 | 11155 | 11155 | 11155 | 13288 | 13288 | 13288 |

139 - 996 kW



| Modello | Type | EHL90F (2.1 mm) | — | 364B | 366B | | |
|--|------------------------------------|--|---|---|---|-------|-------|
| Potenza | Rating | □ kW (ΔT 15K) Glycol 34% | — | 316 | 255 | 347 | 266 |
| Fluido refrigerante Refrigerant fluid | m ³ /h Portata Flowrate | — | — | 58,9 | 47,6 | 64,8 | 49,6 |
| | | kPa Perdita di carico Pressure drop | — | 63 | 42 | 56 | 34 |
| Portata d'aria | Air quantity | m ³ /h | — | 106000 | 76000 | 98000 | 68400 |
| Assorbimento motori Motor power consumption | 6P Ø900 | W | — | 13000 | 8000 | 13000 | 8000 |
| | | A | — | 24,0 | 14,0 | 24,0 | 14,0 |
| Livello pressione sonora | Sound pressure level | dB (A) (Total) | — | 62 | 55 | 62 | 55 |
| Modello | Type | EAL9N (2.1 mm) | — | 6221B | 6222B | | |
| Potenza | Rating | □ kW (ΔT 15K) Glycol 34% | — | 281 | 234 | 305 | 244 |
| Fluido refrigerante Refrigerant fluid | m ³ /h Portata Flowrate | — | — | 52,4 | 43,8 | 57,1 | 45,5 |
| | | kPa Perdita di carico Pressure drop | — | 49 | 35 | 43 | 28 |
| Portata d'aria | Air quantity | m ³ /h | — | 94000 | 70400 | 88000 | 64000 |
| Assorbimento motori Motor power consumption | 6P Ø900 | W | — | 9600 | 6360 | 9600 | 6360 |
| | | A | — | 20,8 | 12 | 20,8 | 12 |
| Livello pressione sonora | Sound pressure level | dB (A) (Total) | — | 58 | 51 | 58 | 51 |
| Modello | Type | EAL8S (2.1 mm) | — | 7221B | 7222B | | |
| Potenza | Rating | □ kW (ΔT 15K) Glycol 34% | — | 243 | 206 | 263 | 215 |
| Fluido refrigerante Refrigerant fluid | m ³ /h Portata Flowrate | — | — | 45,5 | 38,5 | 49,2 | 40,2 |
| | | kPa Perdita di carico Pressure drop | — | 38 | 28 | 33 | 22 |
| Portata d'aria | Air quantity | m ³ /h | — | 77200 | 58000 | 72800 | 55200 |
| Assorbimento motori Motor power consumption | 6P Ø800 | W | — | 6800 | 4600 | 6800 | 4600 |
| | | A | — | 14,8 | 8,4 | 14,8 | 8,4 |
| Livello pressione sonora | Sound pressure level | dB (A) (Total) | — | 52 | 45 | 52 | 45 |
| Modello | Type | EAL9X (2.1 mm) | 1220E | 1221B | 1222F | | |
| Potenza | Rating | □ kW (ΔT 15K) Glycol 34% | 188 | 160 | 220 | 170 | |
| Fluido refrigerante Refrigerant fluid | m ³ /h Portata Flowrate | — | 35,1 | 29,9 | 40,3 | 32,3 | |
| | | kPa Perdita di carico Pressure drop | — | 42 | 31 | 31 | 21 |
| Portata d'aria | Air quantity | m ³ /h | 65600 | 49200 | 60800 | 44400 | |
| Assorbimento motori Motor power consumption | 8P Ø900 | W | 3440 | 2120 | 3440 | 2120 | |
| | | A | 8,8 | 4,6 | 8,8 | 4,6 | |
| Livello pressione sonora | Sound pressure level | dB (A) (Total) | 47 | 40 | 47 | 40 | |
| Modello | Type | EAL8T (2.1 mm) | 8220E | 8221B | 8222F | | |
| Potenza | Rating | □ kW (ΔT 15K) Glycol 34% | 173 | 149 | 199 | 163 | |
| Fluido refrigerante Refrigerant fluid | m ³ /h Portata Flowrate | — | 32,4 | 27,9 | 37,2 | 30,5 | |
| | | kPa Perdita di carico Pressure drop | — | 35 | 27 | 26 | 18 |
| Portata d'aria | Air quantity | m ³ /h | 60800 | 47600 | 56800 | 43600 | |
| Assorbimento motori Motor power consumption | 8P Ø800 | W | 3280 | 2080 | 3280 | 2080 | |
| | | A | 9,2 | 4,4 | 9,2 | 4,4 | |
| Livello pressione sonora | Sound pressure level | dB (A) (Total) | 45 | 40 | 45 | 40 | |
| Modello | Type | EAL9U (2.1 mm) | 5220E | 5221F | — | | |
| Potenza | Rating | □ kW (ΔT 15K) Glycol 34% | 139 | 117 | 152 | 121 | |
| Fluido refrigerante Refrigerant fluid | m ³ /h Portata Flowrate | — | 26 | 21,9 | 28,3 | 22,6 | |
| | | kPa Perdita di carico Pressure drop | — | 24 | 17 | 40 | 27 |
| Portata d'aria | Air quantity | m ³ /h | 40800 | 32000 | 37600 | 28800 | |
| Assorbimento motori Motor power consumption | 12P Ø900 | W | 1100 | 700 | 1100 | 700 | |
| | | A | 3,2 | 1,6 | 3,2 | 1,6 | |
| Livello pressione sonora | Sound pressure level | dB (A) (Total) | 36 | 30 | 36 | 30 | |
| Elettroventilatori Fans | | Ø 800 / Ø 900 mm x n° Collegamento Connection | 4  | 4  | 4  | | |
| Volume circuito | Circuit volume | dm ³ | 72 | 118 | 145 | | |
| Dimensioni | Dimensions | A mm (H - V) | 4756 | 4756 | 4756 | | |



- Potenza con tubi puliti
- Rating with clean tubes

Attacchi lati opposti AFN
Connections opposite sides AFN

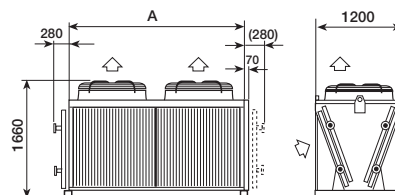


(Optional)

| | 368A | | 370A | | 372A | | 374A | | 376N | | 378N | | 380N | | 382N | | | |
|--|--------------|--------------|--------------|--------------|--------------|--------------|--------------|--------------|--------------|--------------|--------------|--------------|--------------|--------|--------------|--------|--------------|--|
| | 470 | 380 | 514 | 400 | 640 | 520 | 701 | 542 | 812 | 660 | 888 | 688 | 990 | 800 | 1080 | 830 | | |
| | 87,5 | 70,9 | 95,8 | 74,6 | 119,2 | 96,9 | 130,6 | 101 | 151,3 | 123 | 165,4 | 128,1 | 184,3 | 149 | 201,1 | 154,7 | | |
| | 29 | 20 | 27 | 17 | 62 | 42 | 55 | 34 | 94 | 65 | 73 | 45 | 156 | 106 | 119 | 73 | | |
| | 159000 | 114000 | 147000 | 102200 | 212000 | 152000 | 196000 | 136800 | 265000 | 190000 | 245000 | 171000 | 318000 | 228000 | 294000 | 205200 | | |
| | 19500 | 12000 | 19500 | 12000 | 26000 | 16000 | 26000 | 16000 | 32500 | 20000 | 32500 | 20000 | 39000 | 24000 | 39000 | 24000 | | |
| | 36,0 | 21,0 | 36,0 | 21,0 | 48,0 | 28,0 | 48,0 | 28,0 | 60,0 | 35,0 | 60,0 | 35,0 | 72,0 | 42,0 | 72,0 | 42,0 | | |
| | 64 | 57 | 64 | 57 | 65 | 58 | 65 | 58 | 66 | 59 | 66 | 59 | 67 | 60 | 67 | 60 | | |
| | 6231A | | 6232A | | 6241A | | 6242A | | 6251N | | 6252N | | 6261N | | 6262N | | | |
| | 415 | 347 | 453 | 362 | 572 | 478 | 623 | 497 | 725 | 605 | 788 | 628 | 879 | 732 | 953 | 759 | | |
| | 77,6 | 64,8 | 84,7 | 67,7 | 107,0 | 89,3 | 116,4 | 92,9 | 135,6 | 113,1 | 147,2 | 117,4 | 164,3 | 136,8 | 178,3 | 141,9 | | |
| | 22 | 16 | 20 | 13 | 48 | 35 | 42 | 28 | 73 | 53 | 56 | 37 | 121 | 86 | 91 | 60 | | |
| | 141000 | 105600 | 132000 | 96000 | 188000 | 140800 | 176000 | 128000 | 235000 | 176000 | 220000 | 160000 | 282000 | 211200 | 264000 | 192000 | | |
| | 14400 | 9540 | 14400 | 9540 | 19200 | 12720 | 19200 | 12720 | 24000 | 15900 | 24000 | 15900 | 28800 | 19080 | 28800 | 19080 | | |
| | 31,2 | 18 | 31,2 | 18 | 41,6 | 24 | 41,6 | 24 | 52 | 30 | 52 | 30 | 62,4 | 36 | 62,4 | 36 | | |
| | 60 | 53 | 60 | 53 | 61 | 54 | 61 | 54 | 62 | 55 | 62 | 55 | 63 | 56 | 63 | 56 | | |
| | 7231A | | 7232E | | 7241A | | 7242A | | 7251N | | 7252N | | 7261N | | 7262N | | | |
| | 356 | 305 | 402 | 331 | 486 | 420 | 526 | 438 | 616 | 531 | 664 | 553 | 746 | 643 | 804 | 667 | | |
| | 66,5 | 57,1 | 75,1 | 61,8 | 90,8 | 78,4 | 98,3 | 81,8 | 115,2 | 99,3 | 124,1 | 103,3 | 139,4 | 120,1 | 150,4 | 124,7 | | |
| | 17 | 13 | 65 | 45 | 37 | 27 | 32 | 22 | 56 | 42 | 42 | 29 | 92 | 68 | 68 | 47 | | |
| | 115800 | 87000 | 109200 | 82900 | 154400 | 116000 | 145600 | 110400 | 193000 | 145000 | 182000 | 138000 | 231600 | 174000 | 218400 | 165600 | | |
| | 10200 | 6900 | 10200 | 6900 | 13600 | 9200 | 13600 | 9200 | 17000 | 11500 | 17000 | 11500 | 20400 | 13800 | 20400 | 13800 | | |
| | 22,2 | 12,6 | 22,2 | 12,6 | 29,6 | 16,8 | 29,6 | 16,8 | 37,0 | 21,0 | 37,0 | 21,0 | 44,4 | 25,2 | 44,4 | 25,2 | | |
| | 54 | 47 | 54 | 47 | 55 | 48 | 55 | 48 | 56 | 49 | 56 | 49 | 57 | 50 | 57 | 50 | | |
| | 1230A | 1231E | 1232E | 1240A | 1241A | 1242A | 1250N | 1251A | 1252A | | 1261A | 1262A | | | | | | |
| | 284 | 238 | 340 | 270 | 345 | 255 | 388 | 325 | 450 | 355 | 455 | 335 | 498 | 415 | 570 | 450 | | |
| | 52,9 | 44,3 | 63,3 | 50,3 | 64,4 | 47,7 | 72,2 | 60,5 | 83,7 | 66 | 84,9 | 62,6 | 92,5 | 77,3 | 106 | 83,7 | | |
| | 30 | 21 | 78 | 52 | 50 | 29 | 62 | 44 | 32 | 21 | 25 | 14 | 81 | 58 | 38 | 43 | | |
| | 98400 | 73800 | 91200 | 66600 | 84800 | 60800 | 131200 | 98400 | 121600 | 88800 | 112800 | 80800 | 164000 | 123000 | 152000 | 110000 | | |
| | 5160 | 3180 | 5160 | 3180 | 5160 | 3180 | 6880 | 4240 | 6880 | 4240 | 6880 | 4240 | 8600 | 5300 | 8600 | 5300 | | |
| | 13,2 | 6,9 | 13,2 | 6,9 | 13,2 | 6,9 | 17,6 | 9,2 | 17,6 | 9,2 | 17,6 | 9,2 | 22 | 11,5 | 22 | 11,5 | | |
| | 49 | 42 | 49 | 42 | 49 | 42 | 50 | 43 | 50 | 43 | 50 | 43 | 51 | 44 | 51 | 44 | | |
| | 8230N | | 8231E | | 8232E | | 8240N | | 8241A | | 8242A | | 8250N | | 8251A | | 8252A | |
| | 254 | 219 | 305 | 249 | 320 | 252 | 350 | 301 | 402 | 330 | 420 | 331 | 448 | 385 | 513 | 421 | | |
| | 47,5 | 40,9 | 57,0 | 46,7 | 59,9 | 47,0 | 65,4 | 56,4 | 75,1 | 61,7 | 78,5 | 61,8 | 83,8 | 72,0 | 96,0 | 78,6 | | |
| | 23 | 18 | 62 | 43 | 42 | 27 | 49 | 37 | 25 | 18 | 20 | 13 | 64 | 49 | 46 | 32 | | |
| | 91200 | 71400 | 85200 | 65400 | 78000 | 58800 | 121600 | 95200 | 113600 | 87200 | 104000 | 78400 | 152000 | 119000 | 142000 | 109000 | | |
| | 4920 | 3120 | 4920 | 3120 | 4920 | 3120 | 6560 | 4160 | 6560 | 4160 | 6560 | 4160 | 8200 | 5200 | 8200 | 5200 | | |
| | 13,8 | 6,6 | 13,8 | 6,6 | 13,8 | 6,6 | 18,4 | 8,8 | 18,4 | 8,8 | 18,4 | 8,8 | 23,0 | 11,0 | 23,0 | 11,0 | | |
| | 47 | 42 | 47 | 42 | 47 | 42 | 48 | 43 | 48 | 43 | 48 | 43 | 49 | 44 | 49 | 44 | | |
| | 5230E | 5231B | | 5240A | 5241B | | 5250A | 5251A | | 5260N | 5261A | | | | | | | |
| | 215 | 181 | 230 | 182 | | 280 | 237 | 309 | 246 | | 358 | 302 | 384 | 304 | | 433 | | |
| | 40,1 | 33,8 | 43 | 34 | | 52,3 | 44,2 | 57,7 | 46 | | 66,9 | 56,5 | 71,7 | 56,8 | | 81 | | |
| | 71 | 52 | 44 | 29 | | 32 | 24 | 94 | 63 | | 58 | 42 | 27 | 18 | | 70 | | |
| | 61200 | 48000 | 56400 | 43200 | | 81600 | 64000 | 75200 | 57600 | | 102000 | 80000 | 94000 | 72000 | | 122400 | | |
| | 1650 | 1050 | 1650 | 1050 | | 2200 | 1400 | 2200 | 1400 | | 2750 | 1750 | 2750 | 1750 | | 3300 | | |
| | 4,8 | 2,4 | 4,8 | 2,4 | | 6,4 | 3,2 | 6,4 | 3,2 | | 8 | 4 | 8 | 4 | | 9,6 | | |
| | 38 | 32 | 38 | 32 | | 39 | 33 | 39 | 33 | | 40 | 34 | 40 | 34 | | 41 | | |

| | 6 000 | 6 000 | 6 000 | 8 000 | 8 000 | 8 000 | 10 000 | 10 000 | 10 000 | 12 000 | 12 000 | 12 000 |
|--|-------|-------|-------|-------|-------|-------|--------|--------|--------|--------|--------|--------|
| | △ | △ | △ | △ | △ | △ | △ | △ | △ | △ | △ | △ |
| | 98 | 158 | 199 | 125 | 198 | 252 | 171 | 238 | 305 | 198 | 278 | 359 |
| | 6889 | 6889 | 6889 | 9022 | 9022 | 9022 | 11155 | 11155 | 11155 | 13288 | 13288 | 13288 |

38 - 810 kW



| Modello | Type | XDHLF (2.1 mm) | 1114D | 1115L | 1124F | 1125C | 1134B | 1135F | | | | |
|--------------------------|----------------------|------------------------------------|-------------|-------------|-------------|-------------|-------------|-------------|-------------|-------------|-------------|-------------|
| Potenza | Rating | □ kW (ΔT 15K) Glycol 34% | 86 71 | 97 75 | 174 142 | 195 152 | 264 216 | 297 232 | | | | |
| Fluido refrigerante | | m³/h Portata Flowrate | 16,1 13,2 | 18,1 14,1 | 32,5 26,7 | 36,5 28,5 | 49,3 40,4 | 55,5 43,4 | | | | |
| Motor power consumption | | Pa Perdita di carico Pressure drop | 39 27 | 60 38 | 30 21 | 47 30 | 35 24 | 68 43 | | | | |
| Portata aria | Air quantity | m³ | 28600 21000 | 27100 19500 | 57200 42000 | 54200 39000 | 85800 63000 | 81300 58500 | | | | |
| Assorbimento motori | | W | 3250 2000 | 3250 2000 | 6500 4000 | 6500 4000 | 9750 6000 | 9750 6000 | | | | |
| Motor power consumption | | A | 6,0 3,5 | 6,0 3,5 | 12,0 7,0 | 12,0 7,0 | 18,0 10,5 | 18,0 10,5 | | | | |
| Livello Pressione sonora | Sound pressure level | dB (A) (total) | 57 50 | 57 50 | 60 53 | 60 53 | 62 55 | 62 55 | | | | |
| Modello | Type | XDHLN (2.1 mm) | 2114D | 2115L | 2124F | 2125C | 2134B | 2135F | | | | |
| Potenza | Rating | □ kW (ΔT 15K) Glycol 34% | 79 66 | 87 70 | 159 133 | 177 142 | 241 202 | 269 216 | | | | |
| Fluido refrigerante | | m³/h | 14,8 12,3 | 16,3 13,2 | 29,8 24,9 | 33,0 26,6 | 45,1 37,8 | 50,2 40,5 | | | | |
| Refrigerant fluid | | Pa | 33 24 | 50 34 | 25 18 | 39 26 | 29 21 | 56 38 | | | | |
| Portata aria | Air quantity | m³ | 24900 19100 | 23600 17900 | 49800 38200 | 47200 35800 | 74700 57300 | 70800 53700 | | | | |
| Assorbimento motori | | W | 2320 1560 | 2320 1560 | 4640 3120 | 4640 3120 | 6960 4680 | 6960 4680 | | | | |
| Motor power consumption | | A | 5,1 2,9 | 5,1 2,9 | 10,2 5,8 | 10,2 5,8 | 15,3 8,7 | 15,3 8,7 | | | | |
| Livello Pressione sonora | Sound pressure level | dB (A) (total) | 53 45 | 53 45 | 56 48 | 56 48 | 58 50 | 58 50 | | | | |
| Modello | Type | XDHLS (2.1 mm) | 3114L | 3115L | 3124C | 3125C | 3134F | 3135F | | | | |
| Potenza | Rating | □ kW (ΔT 15K) Glycol 34% | 69 58 | 74 60 | 140 117 | 150 121 | 214 179 | 228 185 | | | | |
| Fluido refrigerante | | m³/h | 13,0 10,9 | 13,9 11,2 | 26,3 21,9 | 28,0 22,7 | 39,9 33,4 | 42,6 34,5 | | | | |
| Refrigerant fluid | | Pa | 51 37 | 37 25 | 48 35 | 29 20 | 57 41 | 42 28 | | | | |
| Portata aria | Air quantity | m³ | 20000 15700 | 19100 14800 | 40000 31400 | 38200 29600 | 60000 47100 | 57300 44400 | | | | |
| Assorbimento motori | | W | 11640 1120 | 1640 1120 | 3280 2240 | 3280 2240 | 4920 3360 | 4920 3360 | | | | |
| Motor power consumption | | A | 3,7 2,1 | 3,7 2,1 | 7,3 4,2 | 7,3 4,2 | 11,0 6,3 | 11,0 6,3 | | | | |
| Livello Pressione sonora | Sound pressure level | dB (A) (total) | 47 41 | 47 41 | 50 44 | 50 44 | 52 46 | 52 46 | | | | |
| Modello | Type | XDHLX (2.1 mm) | 4113L | 4114L | 4115L | 4123C | 4124C | 4125D | 4133F | 4134F | 4135C | 4143B |
| Potenza | Rating | □ kW (ΔT 15K) Glycol 34% | 53 44 | 60 48 | 61 47 | 106 89 | 121 95 | 124 95 | 162 135 | 185 143 | 186 143 | 215 181 |
| Fluido refrigerante | | m³/h | 9,9 8,2 | 11,2 8,9 | 11,4 8,8 | 19,8 16,6 | 22,7 17,8 | 23,2 17,8 | 30,2 25,2 | 34,6 26,7 | 34,8 26,7 | 40,1 33,8 |
| Refrigerant fluid | | Pa | 65 46 | 39 26 | 26 16 | 64 46 | 38 24 | 66 40 | 80 57 | 46 29 | 59 37 | 53 39 |
| Portata aria | Air quantity | m³ | 17200 13100 | 16300 12300 | 15400 11400 | 34400 26200 | 32600 24600 | 30800 22800 | 51600 39300 | 48900 36900 | 46200 34200 | 68800 52400 |
| Assorbimento motori | | W | 820 520 | 820 520 | 820 520 | 1640 1040 | 1640 1040 | 1640 1040 | 2460 1560 | 2460 1560 | 2460 1560 | 3280 2080 |
| Motor power consumption | | A | 2,2 1,1 | 2,2 1,1 | 2,2 1,1 | 4,4 2,2 | 4,4 2,2 | 4,4 2,2 | 6,6 3,3 | 6,6 3,3 | 6,6 3,3 | 8,8 4,4 |
| Livello Pressione sonora | Sound pressure level | dB (A) (total) | 42 35 | 42 35 | 42 35 | 45 38 | 45 38 | 45 38 | 47 40 | 47 40 | 47 40 | 48 41 |
| Modello | Type | XDHLT (2.1 mm) | 5113L | 5114L | 5115L | 5123C | 5124C | 5125D | 5133F | 5134F | 5135C | 5143B |
| Potenza | Rating | □ kW (ΔT 15K) Glycol 34% | 49 42 | 56 46 | 57 45 | 98 84 | 112 92 | 118 91 | 150 128 | 171 140 | 178 137 | 200 172 |
| Fluido refrigerante | | m³/h | 9,1 7,9 | 10,4 8,6 | 10,6 8,5 | 18,3 15,8 | 20,9 17,3 | 22,0 17,0 | 28,0 24,0 | 31,9 26,3 | 33,4 25,5 | 37,4 32,1 |
| Refrigerant fluid | | Pa | 54 41 | 34 24 | 25 17 | 54 35 | 32 22 | 58 37 | 67 50 | 38 27 | 53 34 | 44 34 |
| Portata aria | Air quantity | m³ | 15300 12100 | 14700 11500 | 14100 10900 | 30600 24200 | 29400 23000 | 28200 21800 | 45900 36300 | 44100 34500 | 42300 32700 | 61200 48400 |
| Assorbimento motori | | W | 790 520 | 790 520 | 790 520 | 1580 1040 | 1580 1040 | 1580 1040 | 2370 1560 | 2370 1560 | 2370 1560 | 3160 2080 |
| Motor power consumption | | A | 2,3 1,1 | 2,3 1,1 | 2,3 1,1 | 4,5 2,2 | 4,5 2,2 | 4,5 2,2 | 6,8 3,3 | 6,8 3,3 | 6,8 3,3 | 9,0 4,4 |
| Livello Pressione sonora | Sound pressure level | dB (A) (total) | 40 35 | 40 35 | 40 35 | 43 38 | 43 38 | 43 38 | 45 40 | 45 40 | 45 40 | 46 41 |
| Modello | Type | XDHLU (2.1 mm) | 6113L | 6114M | 6123C | 6124D | 6133F | 6134C | 6143B | | | |
| Potenza | Rating | □ kW (ΔT 15K) Glycol 34% | 38 32 | 42 33 | 78 66 | 84 66 | 117 99 | 126 101 | 156 132 | | | |
| Fluido refrigerante | | m³/h | 7,1 6,1 | 7,8 6,2 | 14,5 12,3 | 15,8 12,4 | 21,8 18,4 | 23,6 19 | 29,2 24,8 | | | |
| Refrigerant fluid | | Pa | 36 27 | 60 40 | 36 26 | 58 37 | 44 33 | 54 36 | 30 22 | | | |
| Portata aria | Air quantity | m³ | 10700 8500 | 10100 8000 | 21400 17000 | 20200 16000 | 32100 25500 | 30300 24000 | 42800 34000 | | | |
| Assorbimento motori | | W | 270 170 | 270 170 | 540 340 | 540 340 | 810 510 | 810 510 | 1080 680 | | | |
| Motor power consumption | | A | 0,8 0,4 | 0,8 0,4 | 1,6 0,8 | 1,6 0,8 | 2,4 1,2 | 2,4 1,2 | 3,2 1,6 | | | |
| Livello Pressione sonora | Sound pressure level | dB (A) (total) | 31 25 | 31 25 | 34 28 | 34 28 | 36 30 | 36 30 | 37 31 | | | |

DATI COMUNI / COMMON DATA

| | | | | | | | | | | | | |
|--------------------|----------------------------|--------|--------|--------|--------|--------|--------|--------|--------|--------|--------|------|
| Elettroventilatori | n° | 1 o | 1 o | 1 o | 2 oo | 2 oo | 2 oo | 3 ooo | 3 ooo | 3 ooo | 4 oooo | |
| Fans | Colleg. Connection | △ | △ | △ | △ | △ | △ | △ | △ | △ | △ | |
| Superficie Esterna | External Surface | m² | 112 | 168 | 224 | 224 | 335 | 447 | 335 | 503 | 671 | 447 |
| Superficie Interna | TURBOCOIL Internal Surface | m² | 7,2 | 10,8 | 14,5 | 14,5 | 21,6 | 28,8 | 21,6 | 32,5 | 43,3 | 28,8 |
| Volume circuito | dm³ | 2 x 11 | 2 x 16 | 2 x 21 | 2 x 21 | 2 x 29 | 2 x 40 | 2 x 31 | 2 x 44 | 2 x 62 | 2 x 44 | |
| Dimensioni | Dimensions | A mm | 1250 | 1250 | 1250 | 2500 | 2500 | 2500 | 3750 | 3750 | 3750 | 5000 |

VARIANTI COSTRUTTIVE
CONSTRUCTION VARIANTS



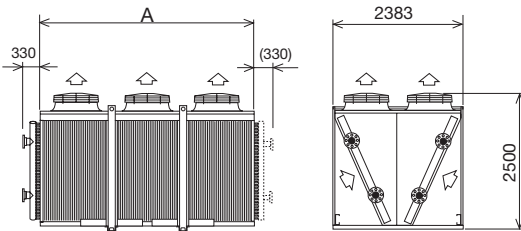
- Potenza con tubi puliti
- Rating with clean tubes

Attacchi lati opposti AFN
Connections opposite sides AFN

(Optional)

| 1144B | | 1145B | | 1154A | | 1155E | | 1164A | | 1165N | | 1174A | | 1175N | | 1184A | | 1185N | | | | | | | |
|--------|--------|--------|--------|---------|---------|---------|---------|---------|----------|----------|----------|----------|-----------|-----------|-----------|-----------|--------|--------|--------|--------|-------|--------|-------|--------|-------|
| 362 | 296 | 398 | 311 | 440 | 361 | 507 | 395 | 537 | 439 | 592 | 463 | 640 | 523 | 704 | 550 | 737 | 602 | 810 | 633 | | | | | | |
| 67,7 | 55,2 | 74,3 | 58,1 | 82,4 | 67,4 | 94,8 | 73,9 | 100,5 | 82,2 | 110,7 | 86,5 | 119,6 | 97,8 | 131,6 | 102,8 | 137,8 | 112,6 | 151,5 | 118,2 | | | | | | |
| 74 | 51 | 73 | 44 | 22 | 15 | 89 | 58 | 36 | 25 | 20 | 13 | 54 | 37 | 30 | 19 | 76 | 52 | 44 | 28 | | | | | | |
| 114400 | 84000 | 108400 | 78000 | 143000 | 105000 | 135500 | 97500 | 171600 | 126000 | 162600 | 117000 | 200200 | 147000 | 189700 | 136500 | 228800 | 168000 | 216800 | 156000 | | | | | | |
| 13000 | 8000 | 13000 | 8000 | 16250 | 10000 | 16250 | 10000 | 19500 | 12000 | 19500 | 12000 | 22750 | 14000 | 22750 | 14000 | 26000 | 16000 | 26000 | 16000 | | | | | | |
| 24,0 | 14,0 | 24,0 | 14,0 | 30,0 | 17,5 | 30,0 | 17,5 | 36,0 | 21,0 | 36,0 | 21,0 | 42,0 | 24,5 | 42,0 | 24,5 | 48,0 | 28,0 | 48,0 | 28,0 | | | | | | |
| 63 | 56 | 63 | 56 | 64 | 57 | 64 | 57 | 64 | 57 | 64 | 57 | 65 | 58 | 65 | 58 | 65 | 58 | 65 | 58 | | | | | | |
| 2144B | | 2145B | | 2154A | | 2155E | | 2164A | | 2165N | | 2174A | | 2175N | | 2184A | | 2185N | | | | | | | |
| 331 | 277 | 360 | 290 | 403 | 338 | 458 | 369 | 491 | 412 | 536 | 432 | 585 | 490 | 637 | 514 | 674 | 564 | 733 | 591 | | | | | | |
| 61,8 | 51,8 | 67,2 | 54,2 | 75,4 | 63,2 | 85,8 | 69,0 | 91,9 | 77,0 | 100,2 | 80,8 | 109,4 | 91,6 | 119,1 | 96,0 | 126,0 | 105,5 | 137,1 | 110,4 | | | | | | |
| 63 | 45 | 61 | 39 | 19 | 14 | 74 | 50 | 30 | 22 | 17 | 11 | 46 | 33 | 25 | 17 | 65 | 46 | 36 | 24 | | | | | | |
| 99600 | 76400 | 94400 | 71600 | 124500 | 95500 | 118000 | 89500 | 149400 | 114600 | 141600 | 107400 | 174300 | 133700 | 165200 | 125300 | 199200 | 152800 | 188800 | 143200 | | | | | | |
| 9280 | 6240 | 9280 | 6240 | 11600 | 7800 | 11600 | 7800 | 13920 | 9360 | 13920 | 9360 | 16240 | 10920 | 16240 | 10920 | 18560 | 12480 | 18560 | 12480 | | | | | | |
| 20,4 | 11,6 | 20,4 | 11,6 | 25,5 | 14,5 | 25,5 | 14,5 | 30,6 | 17,4 | 30,6 | 17,4 | 35,7 | 20,3 | 35,7 | 20,3 | 40,8 | 23,2 | 40,8 | 23,2 | | | | | | |
| 59 | 51 | 59 | 51 | 60 | 52 | 60 | 52 | 60 | 52 | 60 | 52 | 61 | 53 | 61 | 53 | 61 | 53 | 61 | 53 | | | | | | |
| 3144B | | 3145B | | 3154B | | 3155E | | 3164A | | 3165E | | 3174A | | 3175N | | 3184A | | 3185N | | | | | | | |
| 286 | 239 | 306 | 247 | 365 | 305 | 389 | 315 | 425 | 356 | 470 | 380 | 505 | 423 | 541 | 439 | 582 | 487 | 623 | 504 | | | | | | |
| 53,4 | 44,7 | 57,1 | 46,3 | 68,2 | 57,0 | 72,7 | 58,8 | 79,4 | 66,6 | 87,9 | 71,0 | 94,5 | 79,2 | 101,2 | 82,1 | 108,8 | 91,1 | 116,4 | 94,3 | | | | | | |
| 48 | 34 | 45 | 29 | 86 | 62 | 56 | 38 | 23 | 17 | 90 | 61 | 35 | 25 | 19 | 13 | 49 | 35 | 27 | 18 | | | | | | |
| 80000 | 62800 | 76400 | 59200 | 100000 | 78500 | 95500 | 74000 | 120000 | 94200 | 114600 | 88800 | 140000 | 109900 | 133700 | 103600 | 160000 | 125600 | 152800 | 118400 | | | | | | |
| 6560 | 4480 | 6560 | 4480 | 8200 | 5600 | 8200 | 5600 | 9840 | 6720 | 9840 | 6720 | 11480 | 7840 | 11480 | 7840 | 13120 | 8960 | 13120 | 8960 | | | | | | |
| 14,6 | 8,4 | 14,6 | 8,4 | 18,3 | 10,5 | 18,3 | 10,5 | 21,9 | 12,6 | 21,9 | 12,6 | 25,6 | 14,7 | 25,6 | 14,7 | 29,2 | 16,8 | 29,2 | 16,8 | | | | | | |
| 53 | 47 | 53 | 47 | 54 | 48 | 54 | 48 | 54 | 48 | 54 | 48 | 55 | 49 | 55 | 49 | 55 | 49 | 55 | 49 | | | | | | |
| 4144B | | 4145F | | 4153A | | 4154B | | 4155B | | 4163A | | 4164A | | 4165E | | 4173A | | 4174A | | 4175N | | 4184A | | 4185N | |
| 245 | 189 | 248 | 190 | 262 | 220 | 314 | 239 | 315 | 237 | 323 | 268 | 368 | 280 | 374 | 285 | 379 | 317 | 431 | 329 | 432 | 328 | 499 | 378 | 501 | 376 |
| 45,7 | 35,3 | 46,3 | 35,5 | 48,9 | 41,1 | 58,5 | 44,6 | 58,8 | 44,3 | 60,1 | 50 | 68,6 | 52,4 | 70 | 53,3 | 70,6 | 59,1 | 80,4 | 61,5 | 80,7 | 61,3 | 93 | 70,6 | 93,6 | 70,3 |
| 38 | 23 | 62 | 38 | 24 | 17 | 69 | 42 | 49 | 29 | 38 | 27 | 19 | 11 | 57 | 35 | 55 | 40 | 27 | 17 | 13 | 8 | 39 | 23 | 19 | 11 |
| 65200 | 49200 | 61600 | 45600 | 86000 | 65500 | 81500 | 61500 | 77000 | 57000 | 103200 | 78600 | 97800 | 73800 | 92400 | 68400 | 120400 | 91700 | 114100 | 86100 | 107800 | 79800 | 130400 | 98400 | 123200 | 91200 |
| 3280 | 2080 | 3280 | 2080 | 4100 | 2600 | 4100 | 2600 | 4920 | 3120 | 4920 | 3120 | 5740 | 3640 | 5740 | 3640 | 6740 | 4240 | 6740 | 4240 | 7740 | 4940 | 8740 | 5540 | 6740 | 4240 |
| 8,8 | 4,4 | 8,8 | 4,4 | 11 | 5,5 | 11 | 5,5 | 13,2 | 6,6 | 13,2 | 6,6 | 13,2 | 6,6 | 15,4 | 7,7 | 15,4 | 7,7 | 15,4 | 7,7 | 15,4 | 7,7 | 17,6 | 8,8 | 17,6 | 8,8 |
| 48 | 41 | 48 | 41 | 49 | 42 | 49 | 42 | 49 | 42 | 49 | 42 | 49 | 42 | 50 | 43 | 50 | 43 | 50 | 43 | 50 | 43 | 50 | 43 | 50 | 43 |
| 5144B | | 5145F | | 5153B | | 5154B | | 5155B | | 5163A | | 5164B | | 5165B | | 5173A | | 5174A | | 5175B | | 5184A | | 5185N | |
| 228 | 188 | 238 | 182 | 256 | 219 | 291 | 239 | 296 | 227 | 297 | 255 | 351 | 289 | 357 | 273 | 354 | 304 | 404 | 333 | 417 | 320 | 465 | 383 | 469 | 361 |
| 42,6 | 35,2 | 44,4 | 34,1 | 47,8 | 40,9 | 54,4 | 44,7 | 55,5 | 42,4 | 55,5 | 47,7 | 65,7 | 54,1 | 66,7 | 51,1 | 66,1 | 56,8 | 75,5 | 62,3 | 78,0 | 59,8 | 87 | 71,7 | 87,8 | 67,4 |
| 32 | 22 | 55 | 35 | 82 | 62 | 57 | 40 | 47 | 32 | 33 | 26 | 91 | 64 | 73 | 47 | 49 | 37 | 23 | 16 | 84 | 69 | 32 | 23 | 16 | 11 |
| 58800 | 46000 | 56400 | 43600 | 76500 | 60500 | 73500 | 57500 | 70500 | 54500 | 91800 | 72600 | 88200 | 69000 | 84600 | 65400 | 107100 | 84700 | 102900 | 80500 | 98700 | 76300 | 117600 | 92000 | 112800 | 87200 |
| 3160 | 2080 | 3160 | 2080 | 3950 | 2600 | 3950 | 2600 | 4740 | 3120 | 4740 | 3120 | 4740 | 3120 | 5530 | 3640 | 5530 | 3640 | 5530 | 3640 | 5530 | 3640 | 6320 | 4160 | 6320 | 4160 |
| 9,0 | 4,4 | 9,0 | 4,4 | 11,3 | 5,5 | 11,3 | 5,5 | 13,5 | 6,6 | 13,5 | 6,6 | 13,5 | 6,6 | 15,8 | 7,7 | 15,8 | 7,7 | 15,8 | 7,7 | 15,8 | 7,7 | 18,0 | 8,8 | 18,0 | 8,8 |
| 46 | 41 | 46 | 41 | 47 | 42 | 47 | 42 | 47 | 42 | 47 | 42 | 47 | 42 | 48 | 43 | 48 | 43 | 48 | 43 | 48 | 43 | 48 | 43 | 48 | 43 |
| 6144F | | 6153B | | 6154B | | 6163A | | 6164B | | 6173A | | 6174B | | 6183A | | 6184A | | | | | | | | | |
| 170 | 135 | 199 | 169 | 214 | 168 | 235 | 199 | 260 | 203 | 280 | 237 | 307 | 237 | 322 | 272 | 345 | 268 | | | | | | | | |
| 31,8 | 25,3 | 37,3 | 31,5 | 39,9 | 31,5 | 44 | 37,2 | 48,7 | 37,9 | 52,3 | 44,2 | 57,5 | 44,4 | 60,1 | 50,9 | 64,6 | 50 | | | | | | | | |
| 49 | 32 | 55 | 41 | 34 | 22 | 21 | 15 | 56 | 35 | 31 | 23 | 85 | 53 | 44 | 32 | 20 | 12 | | | | | | | | |
| 40400 | 32000 | 53500 | 42500 | 50500 | 40000 | 64200 | 51000 | 60600 | 48000 | 74900 | 59500 | 70700 | 56000 | 85600 | 68000 | 80800 | 64000 | | | | | | | | |
| 1080 | 680 | 1350 | 850 | 1350 | 850 | 1620 | 1020 | 1620 | 1020 | 1890 | 1190 | 1890 | 1190 | 2160 | 1360 | 2160 | 1360 | | | | | | | | |
| 3,2 | 1,6 | 4 | 2 | 4 | 2 | 4,8 | 2,4 | 4,8 | 2,4 | 5,6 | 2,8 | 5,6 | 2,8 | 6,4 | 3,2 | 6,4 | 3,2 | | | | | | | | |
| 37 | 31 | 38 | 32 | 38 | 32 | 38 | 32 | 38 | 32 | 39 | 33 | 39 | 33 | 39 | 33 | 39 | 33 | | | | | | | | |
| 4 0000 | 4 0000 | 5 0000 | 5 0000 | 5 0000 | 6 00000 | 6 00000 | 6 00000 | 6 00000 | 7 000000 | 7 000000 | 7 000000 | 7 000000 | 8 0000000 | 8 0000000 | 8 0000000 | 8 0000000 | | | | | | | | | |
| △ | △ | △ | △ | △ | △ | △ | △ | △ | △ | △ | △ | △ | △ | △ | △ | △ | △ | | | | | | | | |
| 671 | 894 | 559 | 839 | 1118 | 671 | 1006 | 1342 | 783 | 1174 | 1565 | 894 | 1342 | 1789 | | | | | | | | | | | | |
| 43,3 | 57,7 | 36,1 | 54,1 | 72,1 | 43,3 | 64,9 | 86,6 | 50,5 | 75,7 | 101,0 | 57,7 | 86,6 | 115,4 | | | | | | | | | | | | |
| 2 x 62 | 2 x 79 | 2 x 53 | 2 x 74 | 2 x 100 | 2 x 61 | 2 x 87 | 2 x 117 | 2 x 74 | 2 x 100 | 2 x 134 | 2 x 82 | 2 x 113 | 2 x 158 | | | | | | | | | | | | |
| 5000 | 5000 | 6250 | 6250 | 6250 | 7500 | 7500 | 7500 | 7500 | 8750 | 8750 | 8750 | 10000 | 10000 | 10000 | | | | | | | | | | | |

159 - 1867 kW



VARIANTI COSTRUTTIVE CONSTRUCTION VARIANTS



| Modello | Type | EHLDF (2.1 mm) | 1226F | 1227F |
|--------------------------|----------------------|-------------------------------------|--------------|--------------|
| Potenza | Rating | □ kW (ΔT 15K) Glycol 34% | 359 294 | 395 310 |
| Fluido refrigerante | | m ³ /h Portata Flowrate | 67,2 55,0 | 74,0 58,0 |
| Refrigerant fluid | | kPa Perdita di carico Pressure drop | 40 28 | 31 20 |
| Portata d'aria | Air quantity | m ³ /h | 120400 88800 | 114400 82800 |
| Assorbimento motori | | W | 13000 8000 | 13000 8000 |
| Motor power consumption | | A | 24,0 14,0 | 24,0 14,0 |
| Livello pressione sonora | Sound pressure level | dB (A) (Total) | 63 56 | 63 56 |

| Modello | Type | EHLDN (2.1 mm) | 2226F | 2227F |
|--------------------------|----------------------|-------------------------------------|--------------|--------------|
| Potenza | Rating | □ kW (ΔT 15K) Glycol 34% | 328 275 | 357 288 |
| Fluido refrigerante | | m ³ /h Portata Flowrate | 61,4 51,4 | 66,7 53,9 |
| Refrigerant fluid | | kPa Perdita di carico Pressure drop | 34 25 | 26 18 |
| Portata d'aria | Air quantity | m ³ /h | 104400 80800 | 96000 75600 |
| Assorbimento motori | | W | 9200 6240 | 9200 6240 |
| Motor power consumption | | A | 20,4 11,6 | 20,4 11,6 |
| Livello pressione sonora | Sound pressure level | dB (A) (Total) | 59 51 | 59 51 |

| Modello | Type | EHLDS (2.1 mm) | 3226C | 3227C |
|--------------------------|----------------------|-------------------------------------|--------------|--------------|
| Potenza | Rating | □ kW (ΔT 15K) Glycol 34% | 287 240 | 307 248 |
| Fluido refrigerante | | m ³ /h Portata Flowrate | 53,7 44,9 | 57,4 46,5 |
| Refrigerant fluid | | kPa Perdita di carico Pressure drop | 64 46 | 50 34 |
| Portata d'aria | Air quantity | m ³ /h | 84000 66000 | 80400 62400 |
| Assorbimento motori | | W | 6560 4480 | 6560 4480 |
| Motor power consumption | | A | 14,6 8,4 | 14,6 8,4 |
| Livello pressione sonora | Sound pressure level | dB (A) (Total) | 53 46 | 53 46 |

| Modello | Type | EHLDX (2.1 mm) | 6226C | 6227C |
|--------------------------|----------------------|-------------------------------------|--------------|--------------|
| Potenza | Rating | □ kW (ΔT 15K) Glycol 34% | 249 196 | 251 194 |
| Fluido refrigerante | | m ³ /h Portata Flowrate | 46,6 36,7 | 46,9 36,2 |
| Refrigerant fluid | | kPa Perdita di carico Pressure drop | 51 33 | 35 22 |
| Portata d'aria | Air quantity | m ³ /h | 66000 50000 | 62800 46800 |
| Assorbimento motori | | W | 3320 2080 | 3320 2080 |
| Motor power consumption | | A | 8,8 4,6 | 8,8 4,6 |
| Livello pressione sonora | Sound pressure level | dB (A) (Total) | 48 41 | 48 41 |

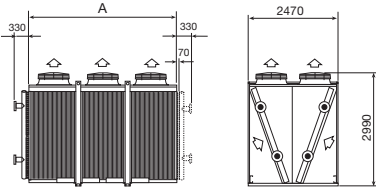
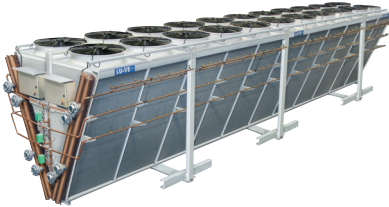
| Modello | Type | EHLDT (2.1 mm) | 4226C | 4227C |
|--------------------------|----------------------|-------------------------------------|--------------|--------------|
| Potenza | Rating | □ kW (ΔT 15K) Glycol 34% | 229 189 | 237 190 |
| Fluido refrigerante | | m ³ /h Portata Flowrate | 42,7 35,2 | 44,4 35,4 |
| Refrigerant fluid | | kPa Perdita di carico Pressure drop | 42 30 | 31 20 |
| Portata d'aria | Air quantity | m ³ /h | 61600 48400 | 59200 46000 |
| Assorbimento motori | | W | 3200 2080 | 3200 2080 |
| Motor power consumption | | A | 9,0 4,4 | 9,0 4,4 |
| Livello pressione sonora | Sound pressure level | dB (A) (Total) | 46 41 | 46 41 |

| | | Dati comuni / Common data | | |
|--------------------|----------------|----------------------------------|--------|---------|
| Elettroventilatori | Fans | Ø 800 / Ø 900 mm x n° | 4 ∞ ∞ | 4 ∞ ∞ |
| | | Collegamento Connection | △ △ | △ △ |
| Volume circuito | Circuit volume | dm ³ | 2 x 91 | 2 x 109 |
| Dimensioni | Dimensions | A mm | 2844 | 2844 |

| Modello | Type | EHLDU (2.1 mm) | 7225C | 7226D |
|--------------------------|----------------------|-------------------------------------|--------------|--------------|
| Potenza | Rating | □ kW (ΔT 15K) Glycol 34% | 159 134 | 167 136 |
| Fluido refrigerante | | m ³ /h Portata Flowrate | 29,7 25,1 | 31,2 25,3 |
| Refrigerant fluid | | kPa Perdita di carico Pressure drop | 50 37 | 66 45 |
| Portata d'aria | Air quantity | m ³ /h | 44000 34400 | 40800 32400 |
| Assorbimento motori | | W | 1080 680 | 1080 680 |
| Motor power consumption | | A | 3,2 1,6 | 3,2 1,6 |
| Livello pressione sonora | Sound pressure level | dB (A) (Total) | 37 31 | 37 31 |

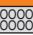
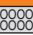
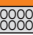
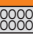
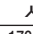
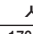
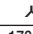
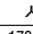
| | | Dati comuni / Common data | | |
|--------------------|----------------|----------------------------------|--------|--------|
| Elettroventilatori | Fans | Ø 900 mm x n° | 4 ∞ ∞ | 4 ∞ ∞ |
| | | Collegamento Connection | △ △ | △ △ |
| Volume circuito | Circuit volume | dm ³ | 2 x 54 | 2 x 72 |
| Dimensioni | Dimensions | A mm | 2844 | 2844 |

347 - 2333 kW



VARIANTI COSTRUTTIVE CONSTRUCTION VARIANTS



| Modello | Type | XXLDF (2.1 mm) | 9083B | 9084B | 9103E | 9104E |
|---------------------------|----------------------|--|--|--|--|--|
| Potenza | Rating | <input type="checkbox"/> kW (ΔT 15K) Glycol 34% | 725 593 | 798 624 | 927 757 | 1018 795 |
| Fluido refrigerante | | m ³ /h | 135,7 110,9 | 149,1 116,8 | 173,4 141,5 | 190,3 148,7 |
| Refrigerant fluid | | Pa | 64 44 | 61 38 | 84 58 | 63 40 |
| Portata aria | Air quantity | m ³ /h | 242400 178400 | 229600 166400 | 303000 223000 | 287000 208000 |
| Assorbimento motori | | W | 26000 16000 | 26000 16000 | 32500 20000 | 32500 20000 |
| Motor power consumption | | A | 48,0 28,0 | 48,0 28,0 | 60,0 35,0 | 60,0 35,0 |
| Livello Pressione sonora | Sound pressure level | dB (A) (total) | 66 59 | 66 59 | 67 60 | 67 60 |
| Modello | Type | XXLDN (2.1 mm) | 9085B | 9086B | 9105E | 9106E |
| Potenza | Rating | <input type="checkbox"/> kW (ΔT 15K) Glycol 34% | 663 555 | 721 582 | 847 709 | 919 741 |
| Fluido refrigerante | | m ³ /h | 124,0 103,8 | 134,7 108,8 | 158,4 132,5 | 171,8 138,5 |
| Refrigerant fluid | | Pa | 54 39 | 50 33 | 71 51 | 52 35 |
| Portata aria | Air quantity | m ³ /h | 200000 154400 | 190000 144000 | 250000 193000 | 237500 180000 |
| Assorbimento motori | | W | 18400 12480 | 18400 12480 | 23000 15600 | 23000 15600 |
| Motor power consumption | | A | 40,8 23,2 | 40,8 23,2 | 51 29 | 51 29 |
| Livello Pressione sonora | Sound pressure level | dB (A) (total) | 62 54 | 62 54 | 63 55 | 63 55 |
| Modello | Type | XXL DX (2.1 mm) | 9087B | 9088F | 9107B | 9108B |
| Potenza | Rating | <input type="checkbox"/> kW (ΔT 15K) Glycol 34% | 493 390 | 513 386 | 631 491 | 641 481 |
| Fluido refrigerante | | m ³ /h | 92,1 72,9 | 95,9 72,1 | 117,7 91,8 | 119,8 89,9 |
| Refrigerant fluid | | Pa | 34 22 | 56 33 | 61 39 | 49 28 |
| Portata aria | Air quantity | m ³ /h | 132000 100000 | 124800 92800 | 165000 125000 | 156000 116000 |
| Assorbimento motori | | W | 6600 4200 | 6600 4200 | 8250 5250 | 8250 5250 |
| Motor power consumption | | A | 17,6 8,8 | 17,6 8,8 | 22 11 | 22 11 |
| Livello Pressione sonora | Sound pressure level | dB (A) (total) | 51 44 | 51 44 | 52 45 | 52 45 |
| Modello | Type | XXL DU (2.1 mm) | 9089F | 9109F | | |
| Potenza | Rating | <input type="checkbox"/> kW (ΔT 15K) Glycol 34% | 347 282 | 440 354 | | |
| Fluido refrigerante | | m ³ /h | 64,9 52,7 | 82,4 66,2 | | |
| Refrigerant fluid | | Pa | 58 39 | 77 52 | | |
| Portata aria | Air quantity | m ³ /h | 84800 66400 | 106000 83000 | | |
| Assorbimento motori | | W | 2160 1360 | 2700 1700 | | |
| Motor power consumption | | A | 6,4 3,2 | 8 4 | | |
| Livello Pressione sonora | Sound pressure level | dB (A) (total) | 40 34 | 41 35 | | |
| DATI COMUNI / COMMON DATA | | | | | | |
| Elettroventilatori | | \varnothing 900 mm x n° | 8  | 8  | 10  | 10  |
| Fans | Colleg. | Connection | Δ  | Δ  | Δ  | Δ  |
| Superficie Esterna | TURBOCOIL | External Surface | m ² | 1380 | 1839 | 1724 |
| Superficie Interna | | Internal Surface | m ² | 89 | 119 | 111 |
| Volume circuito | | dm ³ | | 2 x 151 | 2 x 187 | 2 x 177 |
| Dimensioni | | Dimensions | A mm | 4656 | 4656 | 5820 |

- Potenza con tubi puliti
- Rating with clean tubes

Attacchi laterali opposti AFN
Connections opposite sides AFN



(Optional)

| 9123A | | 9124A | | 9143A | | 9144A | | 9163N | | 9164N | | 9183N | | 9184N | | 9203N | | 9204N | | 9223N | | 9224N | |
|---------|--------|---------|--------|---------|--------|---------|--------|---------|--------|---------|--------|---------|--------|---------|--------|---------|--------|---------|--------|---------|--------|---------|--------|
| 1075 | 880 | 1185 | 929 | 1281 | 1048 | 1411 | 1105 | 1478 | 1208 | 1625 | 1272 | 1691 | 1381 | 1857 | 1452 | 1907 | 1556 | 2093 | 1636 | 2127 | 1736 | 2333 | 1822 |
| 201,0 | 164,5 | 221,5 | 173,7 | 239,6 | 196,0 | 263,8 | 206,6 | 276,3 | 225,9 | 303,9 | 237,9 | 316,1 | 258,1 | 347,2 | 271,5 | 356,4 | 291,0 | 391,3 | 305,9 | 397,7 | 324,5 | 436,2 | 340,7 |
| 30 | 20 | 29 | 18 | 44 | 30 | 43 | 27 | 48 | 33 | 39 | 25 | 66 | 45 | 53 | 34 | 87 | 60 | 70 | 44 | 112 | 78 | 90 | 57 |
| 363600 | 267600 | 344400 | 249600 | 424200 | 312200 | 401800 | 291200 | 484800 | 356800 | 459200 | 332800 | 545400 | 401400 | 516600 | 374400 | 606000 | 446000 | 574000 | 416000 | 666600 | 490600 | 631400 | 457600 |
| 39000 | 24000 | 39000 | 24000 | 45500 | 28000 | 45500 | 28000 | 52000 | 32000 | 52000 | 32000 | 58500 | 36000 | 58500 | 36000 | 65000 | 40000 | 65000 | 40000 | 71500 | 44000 | 71500 | 44000 |
| 72,0 | 42,0 | 72,0 | 42,0 | 84,0 | 49,0 | 84,0 | 49,0 | 96,0 | 56,0 | 96,0 | 56,0 | 108,0 | 63,0 | 108,0 | 63,0 | 120,0 | 70,0 | 120,0 | 70,0 | 132,0 | 77,0 | 132,0 | 77,0 |
| 67 | 60 | 67 | 60 | 68 | 61 | 68 | 61 | 68 | 61 | 68 | 61 | 69 | 62 | 69 | 62 | 69 | 62 | 69 | 62 | 70 | 63 | 70 | 63 |
| 9125A | | 9126A | | 9145A | | 9146A | | 9165N | | 9166N | | 9185N | | 9186N | | 9205N | | 9206N | | 9225N | | 9226N | |
| 983 | 824 | 1072 | 866 | 1171 | 982 | 1275 | 1030 | 1351 | 1131 | 1468 | 1185 | 1544 | 1293 | 1677 | 1353 | 1741 | 1457 | 1889 | 1523 | 1941 | 1625 | 2105 | 1696 |
| 183,7 | 154,1 | 200,3 | 162,0 | 219,0 | 183,5 | 238,4 | 192,5 | 252,6 | 211,4 | 274,5 | 221,5 | 288,7 | 241,7 | 313,5 | 252,9 | 325,5 | 272,4 | 353,3 | 284,8 | 363,0 | 303,7 | 393,6 | 317,1 |
| 25 | 18 | 24 | 16 | 37 | 27 | 35 | 23 | 40 | 29 | 32 | 22 | 55 | 40 | 44 | 30 | 74 | 53 | 58 | 39 | 95 | 69 | 74 | 50 |
| 300000 | 231600 | 285000 | 216000 | 350000 | 270200 | 332500 | 252000 | 400000 | 308800 | 380000 | 288000 | 450000 | 347400 | 427500 | 324000 | 500000 | 386000 | 475000 | 360000 | 550000 | 424600 | 522500 | 396000 |
| 27600 | 18720 | 27600 | 18720 | 32200 | 21840 | 32200 | 21840 | 36800 | 24960 | 36800 | 24960 | 41400 | 28080 | 41400 | 28080 | 46000 | 31200 | 46000 | 31200 | 50600 | 34320 | 50600 | 34320 |
| 61,2 | 34,8 | 61,2 | 34,8 | 71,4 | 40,6 | 71,4 | 40,6 | 81,6 | 46,4 | 81,6 | 46,4 | 91,8 | 52,2 | 91,8 | 52,2 | 102 | 58 | 102 | 58 | 112,2 | 63,8 | 112,2 | 63,8 |
| 63 | 55 | 63 | 55 | 64 | 56 | 64 | 56 | 64 | 56 | 64 | 56 | 65 | 57 | 65 | 57 | 65 | 57 | 65 | 57 | 66 | 58 | 66 | 58 |
| 9127B | | 9128B | | 9147A | | 9148E | | 9167A | | 9168E | | 9187A | | 9188A | | 9207A | | 9208A | | 9227A | | 9228A | |
| 764 | 597 | 771 | 579 | 873 | 696 | 910 | 678 | 1012 | 785 | 1043 | 776 | 1145 | 890 | 1161 | 862 | 1291 | 992 | 1299 | 961 | 1431 | 1101 | 1436 | 1060 |
| 142,5 | 111,5 | 144 | 108,2 | 162,7 | 130,1 | 170 | 126,7 | 188,6 | 146,7 | 194,7 | 145,1 | 213,4 | 166,3 | 216,7 | 161,2 | 240,2 | 185,3 | 242,5 | 179,6 | 266,2 | 205,6 | 268 | 198,2 |
| 98 | 62 | 75 | 44 | 24 | 16 | 75 | 44 | 35 | 21 | 107 | 62 | 47 | 29 | 37 | 21 | 62 | 38 | 49 | 27 | 80 | 49 | 62 | 35 |
| 198000 | 150000 | 187200 | 139200 | 231000 | 175000 | 218400 | 162400 | 264000 | 200000 | 249600 | 185600 | 297000 | 225000 | 280800 | 208800 | 330000 | 250000 | 312000 | 232000 | 363000 | 275000 | 343200 | 255200 |
| 9900 | 6300 | 9900 | 6300 | 11550 | 7350 | 11550 | 7350 | 13200 | 8400 | 13200 | 8400 | 14850 | 9450 | 14850 | 9450 | 16500 | 10500 | 16500 | 10500 | 18150 | 11550 | 18150 | 11550 |
| 26,4 | 13,2 | 26,4 | 13,2 | 30,8 | 15,4 | 30,8 | 15,4 | 35,2 | 17,6 | 35,2 | 17,6 | 39,6 | 19,8 | 39,6 | 19,8 | 44 | 22 | 44 | 22 | 48,4 | 24,2 | 48,4 | 24,2 |
| 52 | 45 | 52 | 45 | 53 | 46 | 53 | 46 | 53 | 46 | 53 | 46 | 54 | 47 | 54 | 47 | 54 | 47 | 54 | 47 | 55 | 48 | 55 | 48 |
| 9129B | | 9149B | | 9169B | | 9189A | | 9209A | | 9229A | | | | | | | | | | | | | |
| 526 | 423 | | | 621 | 495 | | | 712 | 572 | | | 796 | 636 | | | 896 | 708 | | | 997 | 781 | | |
| 98,3 | 79,1 | | | 116,1 | 92,6 | | | 133,1 | 107,1 | | | 148,8 | 118,8 | | | 167,5 | 132,4 | | | 186,5 | 146,1 | | |
| 49 | 33 | | | 75 | 49 | | | 106 | 71 | | | 24 | 16 | | | 32 | 21 | | | 41 | 26 | | |
| 127200 | 99600 | | | 148400 | 116200 | | | 169600 | 132800 | | | 190800 | 149400 | | | 212000 | 166000 | | | 233200 | 182600 | | |
| 3240 | 2040 | | | 3780 | 2380 | | | 4320 | 2720 | | | 4860 | 3060 | | | 5400 | 3400 | | | 5940 | 3740 | | |
| 9,6 | 4,8 | | | 11,2 | 5,6 | | | 12,8 | 6,4 | | | 14,4 | 7,2 | | | 16 | 8 | | | 17,6 | 8,8 | | |
| 41 | 35 | | | 42 | 36 | | | 42 | 36 | | | 43 | 37 | | | 43 | 37 | | | 44 | 38 | | |
| 12 | 000000 | 12 | 000000 | 14 | 000000 | 14 | 000000 | 16 | 000000 | 16 | 000000 | 18 | 000000 | 18 | 000000 | 20 | 000000 | 20 | 000000 | 22 | 000000 | 22 | 000000 |
| △ | △ | △ | △ | △ | △ | △ | △ | △ | △ | △ | △ | △ | △ | △ | △ | △ | △ | △ | △ | △ | △ | △ | △ |
| 2069 | | 2759 | | 2414 | | 3219 | | 2759 | | 3679 | | 3104 | | 4139 | | 3449 | | 4599 | | 3794 | | 5058 | |
| 133 | | 178 | | 156 | | 208 | | 178 | | 237 | | 200 | | 267 | | 223 | | 297 | | 245 | | 326 | |
| 2 x 204 | | 2 x 257 | | 2 x 230 | | 2 x 292 | | 2 x 256 | | 2 x 327 | | 2 x 283 | | 2 x 362 | | 2 x 309 | | 2 x 397 | | 2 x 335 | | 2 x 433 | |
| 6984 | | 6984 | | 8148 | | 8148 | | 9312 | | 9312 | | 10476 | | 10476 | | 11640 | | 11640 | | 12804 | | 12804 | |